

# SYNKRO

PÖTTINGER two and three-row stubble cultivators







# Airing the soil

SYNKRO stubble cultivator  
with working widths of  
8.2' – 19.68' / 2.50 m – 6 m

The classic piece of equipment for conservation in soil preparation is the cultivator. The mixing in of residue from the harvest increases the fertility of the soil and protects from erosion. SYNKRO cultivators in two- or three-row versions, with many and diverse rear rollers, create the ideal conditions for the germination of weeds, lost grain and break crops.

**Our compact two-row series operates smoothly at a low power requirement. A frame height of 31.49" / 800 mm guarantees you trouble-free operation.**

**SYNKRO three-row stubble cultivators are ideal for shallow stubble work and deep tillage. A central adjustment system allows you to adjust the working depth quickly and easily.**

## Contents

|                                  | Page    |
|----------------------------------|---------|
| Two-row mounted cultivators      | 4 - 9   |
| Three-row mounted cultivators    | 10 - 19 |
| SYNKRO MULTILINE system          | 20 - 23 |
| Three-row trailed cultivators    | 24 - 27 |
| TEGOSEM cover crop sowing system | 28 - 31 |
| Rear rollers                     | 32 - 35 |
| Technical data                   | 36 - 37 |
| Standard & Optional Equipment    | 38 - 39 |

All information on technical data, dimensions, weights, output, etc. is approximate and is not binding.







# SYNKRO 1020 range

Two-row stubble cultivators – light and compact



**These low draft and compact two-row cultivators are designed for lighter weight tractors with lower lifting power.**

## Adjustable headstock

The angle of the SYNKRO headstock is adjustable and this enables an ideal match to your tractor. This optimized hitching geometry improves ground clearance on headland turns and during transport.

- Two lower linkage positions.
- Four top link positions.
- As a result, the cultivator can be adapted to all sizes of tractor.

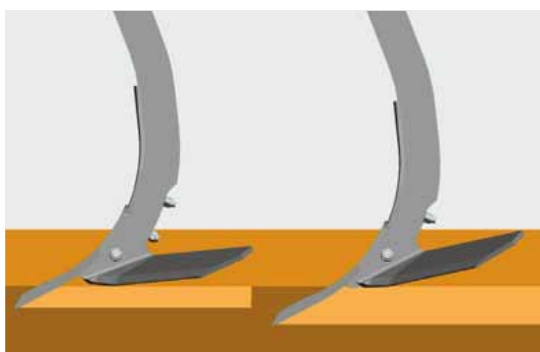
## Compact frame

The compact frame is a trademark of the SYNKRO 1020 series. The first row of tines is very close to the tractor for a very favourable centre of gravity.

- The 3.94 x 3.94" / 100 x 100 mm fine-grained steel frame box section provides the highest strength.
- 29.52" / 750 mm row spacing and 31.49" / 800 mm frame height guarantee maximum clearance.
- The tapered frame design directs the tractor's pulling power from the lower linkages directly to the rear roller mountings.



# SYNKRO 1020 range



## Durable tines and shares

The tine legs have been engineered to form an arc for a perfect working angle. The tine mounting brackets reach right down the leg to provide a high level of strength and stability.

Fitted with a shear bolt, each tine offers three positions for reliable penetration and uniform surface mixing.

### Proven on all types of soil

- The two-row SYNKROs are equipped as standard with split chisel point shares and wide wing shares.
- With a tine spacing of 16.53 – 18.11" / 420 – 460 mm, all the soil is moved right through.
- Slightly curved shins ensure intensive mixing. The outer tines are fitted with edging boards.
- Optionally, PÖTTINGER offers double diamond points with wings in lieu of chisel points and shins.

### Two-position wing shares

For very shallow or deep cultivation, the cultivator points and wings ensure thorough mixing of the soil. Being able to adjust the height and angle of the wings ensures optimum penetration and excellent mixing performance.

#### Shallow point – wide and flat wings

- Less aggressive penetration – smoother soil surface

#### Deep point – higher and steeper wings

- More aggressive penetration, enters soil easier – better mixing effect





## Perfect results

Because the wing shares overlap, the whole area of soil is cultivated thoroughly with both the deep and very shallow settings. Unique working results are achieved with the shallow setting thanks to the low penetration depth. Only PÖTTINGER stubble cultivators manage to produce such a perfectly level result.



## Cultivate longer with DURASTAR points and wings

- Double the durability compared to standard points.
- High quality coating on the front side of the point.
- High tungsten-carbide content for longer service life.
- Resistant to wear even in stony conditions.
- Special point shape with higher volume in the area subject to most wear

### Seriously tough.

- Coated on the underside of the wing.
- Double the durability compared to standard wing share.
- Much higher wear resistance thanks to high quality steel that retains tine shape.
- Coating even withstands stone impact.







## Easy adjustment

Working depth is adjusted quickly and easily at the rear roller. Thanks to the tapered frame, the pin-in-hole system is easily accessible on both sides without risk to the operator.

- Only one adjustment point on each side.
- The rear roller is secured in place to transfer additional weight to the cultivator and improve penetration.



## Proven components

The levelling discs are guided by the rear roller and adjusted together in parallel; they can also be depth-adjusted in pairs. Scalloped profile for even better performance. Levelling tines are also available as an option in lieu of the discs.

Optional edging boards adjust automatically to the working depth to prevent ridges forming. They are spring-mounted to enable sideways movement. These can be folded inwards on rigid-frame SYNKRO cultivators to reduce transport width.



## SYNKRO NOVA

Spring-mounted tines on the SYNKRO NOVA guarantee non-stop cultivation on rocky soil.

- Two tine positions for reliable ground penetration.
- The levelling discs are protected.
- Additional, the tines are also protected by shear bolts.





The wide models are foldable

**SYNKRO 4020 K / 5020 K / 6020 K**

The mounted cultivators with working widths of 13.12' / 4.0 m to 19.68' / 6.0 m can be folded vertically for road transport. The cultivators are folded in two halves to achieve a low transport height. A safety interlock engages automatically using a hydraulically activated lock pin. Two 10/75-15.3 front support wheels are available to provide ground contour following. Depth is adjusted using a ratchet turnbuckle each side.







POTTINGER

SYNKRO 4030



# SYNKRO 1030 range

Three-row cultivators



**The three-row SYNKRO 1030 cultivators are ideal for shallow and deep stubble cultivation with tractors from 100 hp upwards. They offer technical solutions for even more efficient operation and convenient adjustment.**

## Rigid-framed mounted cultivators

### **SYNKRO 3030 / SYNKRO 3530**

The compact frame is a trademark of the mounted stubble cultivators. The first row of tines is very close to the tractor for a very favourable centre of gravity.



## Folding mounted cultivators

### **SYNKRO 4030 K / SYNKRO 5030 K**

The foldable mounted stubble cultivators can be folded upwards for road transport so that they are within 9.84' / 3.0 m and still have a low transport height. The folding system is equipped with an automatic mechanical transport interlock.



## Foldable trailed cultivators

### **SYNKRO 4030 T / SYNKRO 5030 T / SYNKRO 6030 T**

The transport chassis ensures that the hitch and rear axle of the tractor are not overloaded. The cultivators are folded in two halves. The chassis is wide with a low centre of gravity for excellent driving stability. It also can be lowered for road transport.





**Moving the whole surface, perfect mixing in and excellent crumbling are what make SYNKRO stubble cultivators so successful on the market. SYNKROs feature proven point and wing share geometry for uniform working in and intensive mixing of harvest residues, liquid manure, muck and mulch.**

## Proven point and wing share geometry

The three-row SYNKROs are equipped with split chisel point shares and wings as standard. The narrow tine spacing of either 10.62 or 11.02" / 270 or 280 mm ensures optimum mixing of harvest residues – an ideal prerequisite for mulch drilling.

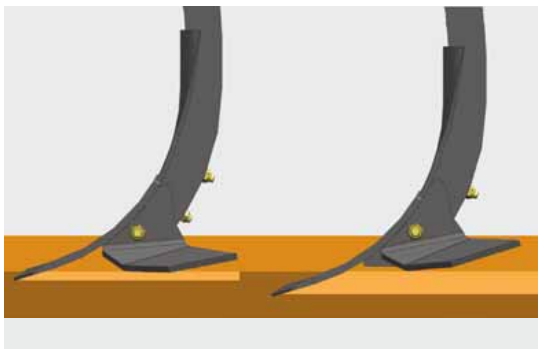
- The slightly curved shins mix the flow of soil from the side – an intensive rolling movement without flinging soil up into the frame.
- The outer tines are fitted with edging boards.
- Optionally, PÖTTINGER offers double diamond points with wings or shallow shares with a quick-change point system.

For deep loosening work down to 11.81" / 300 mm, you can choose between chisel points, double-diamond points on their own or narrow points with a quick-change system.

- The wings can be removed by removing just one bolt on each leg.







## Two-position tines

### For very shallow or deep cultivation

the cultivator points and wings ensure thorough mixing of the soil. Being able to adjust the height and angle of the wings ensures optimum penetration and excellent mixing performance.

- The position of the goose wings can be shifted by undoing just one bolt on each leg.

### Shallow point – wide and flat wings

- Less aggressive penetration – smoother soil surface

### Deep point – higher and steeper wings

- More aggressive penetration, enters soil easier – better mixing effect

## Optimum setting

Together with the shins, the curved legs ensure optimum soil flow.

The tines are fitted with shear bolts as standard. There is a range of settings for matching penetration performance to the operating conditions, even on dry and hard ground.

- SYNKRO standard: Three positions
- SYNKRO NOVA: Two positions





## NONSTOP Grubbern

SYNKRO NOVA models are equipped with overload protection. PÖTTINGER has completely updated the NOVA stone protection system and it now features a newly-developed horizontal spring unit. When obstacles are met, uninterrupted working is guaranteed by safe tripping and the large movement arc.

- The triggering force of 1212 lbs / 550 kg diminishes as the leg is raised – stones are not pulled up or loosened. This protects both the cultivator and the tractor.
- On the SYNKRO NOVA the first row of tines is located as far forward as possible to bring the weight as close as possible to the tractor.
- Two tine positions for reliable ground penetration.
- Additional, the tines are also protected by shear bolts.

### **Maintenance-free, rubber-mounted levelling discs**

The levelling discs on the SYNKRO NOVA are also equipped with maintenance-free overload protection.

- Proven over many years in the field, the maintenance-free NON STOP trip protection system features 1.57" / 40 mm-thick rubber elements.
- The sealed bearings are maintenance-free and do not need to be lubricated.
- A labyrinth seal provides perfect protection for the bearing.

Levelling tines are also available as an option in lieu of the discs.





## Cultivate longer with DURASTAR

### Proven on all types of soil

SYNKRO tine points and wings ensure thorough mixing of the soil thanks to their adjustable position. The rate of wear of the tines depends on driving speed and the type of soil. Sandy and rocky soil subject implements to the highest rate of wear. DURASTAR coatings extend the service life of tools considerably.



1

### Cultivator chisel points and wings

- Double the durability compared to standard points.
- High quality coating on the front side of the point.
- High tungsten-carbide content for longer service life.
- Resistant to wear even in stony conditions.
- Special point shape with higher volume in the area subject to most wear.

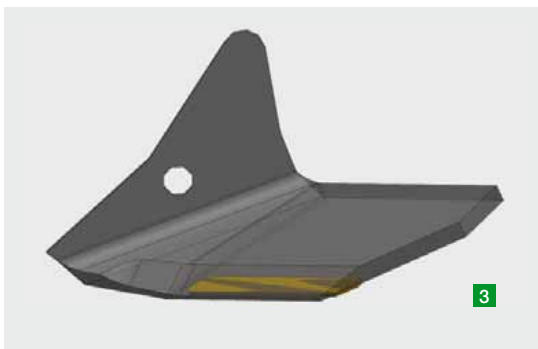


2

### DURASTAR PLUS points

NEW

- High quality base material and hardened metal for the points
- Much longer service life and higher resistance to fracture for top reliability
- Up to six times more durable – saving costs and time
- Improved penetration, lower power required thanks to optimised leading edge
- Optimum loosening and mixing through of soil



3

### Seriously tough.

- Coated on the underside of the wing.
- Double the durability compared to standard wing share.
- Much higher wear resistance thanks to high quality steel that retains tine shape.
- Coating even withstands stone impact.





# SYNKRO 1030 SYNKRO 1030 K

Three-row mounted cultivators



## Adjustable headstock

Tractors with up to 190 hp have a huge range of hitch geometries. The range of mounting options offered by the headstock ensures excellent ground penetration and sufficient transport height.

### **SYNKRO 3030 / SYNKRO 3530**

Two lower linkage mounting heights with clevis-type mounting lugs. The headstock angle can be adjusted and with three top linkage positions optimum adaptation to any tractor is guaranteed.

- Headstock vertical – standard position.
- Headstock angled forward for tractors with short top links.
- Headstock offers lower mountings for smaller tractors.



### **SYNKRO 4030 K / SYNKRO 5030 K**

On the foldable models, the headstock provides three top link and two lower linkage mounting heights.

## Heavy duty frame

The compact frame is a trademark of mounted SYNKRO stubble cultivators. The first row of tines is very close to the tractor for a very favourable centre of gravity.

- 3.94 x 3.94" / 100 x 100 mm box section frame made from fine-grained steel give the greatest stability.
- The tapered frame design directs the tractor's pulling power from the lower linkages directly to the rear roller mountings.
- Thanks to the tapered frame the depth adjustment system is easily accessible on both sides without risk to the operator.





## Ingenious setting system

The depth adjustment system for the rear roller enables the working depth to be adjusted quickly and easily using a straightforward pin-in-hole system.

- Only one adjustment point at the front on each side – even on foldable cultivators.
- The position of the rear roller is locked to provide additional transfer of weight from the rear roller to the stubble cultivator.



## Maintenance-free levelling discs

The levelling discs are scalloped. They are guided by the rear roller and adjusted together in parallel; they can also be depth-adjusted in pairs. A six-lip labyrinth seal provides completely tight protection for the bearings. The bearing is therefore maintenance-free; no complicated work required.



## Edging boards

The optional edging boards are mounted right next to the outer tines to prevent ridges forming.

The edging boards adjust automatically to the working depth and are spring-mounted to enable sideways movement. These can be folded inwards on rigid-frame SYNKRO cultivators to reduce transport width.





## Levelling tines

The levelling tines are a lighter and cost-effective alternative to levelling discs. These are ideal for use in moderate amounts of harvest residues and finely chopped straw.

- For all three-point linkage mounted SYNKROs
- Individually suspended tines
- Height and inclination adjustment



## Rear harrow

Optional for three-point linkage mounted SYNKROs. The rear harrow leaves a finely-crumbled surface. The ridges created by rear rollers is levelled to prevent ponding. Harvest residues are placed lightly on the surface to provide ideal germination conditions for weeds and volunteers. Available with knife ring roller, pack ring roller, rubber packer roller and conical ring roller.



## DRILLBOX

### Cover crop seed drill for SYNKRO 2520, SYNKRO 3020 und SYNKRO 3030

- Main adjustment with a lever, fine adjustment with a hand wheel.
- Scattering plates for even distribution.
- Optional agitating shaft for seed mixtures.
- Driven by land wheel.
- Catchment tray for calibration.







# SYNKRO 3030 MULTILINE

Extend the range of applications on your SYNKRO 3030



**PÖTTINGER's MULTILINE concept creates a true all-rounder for arable professionals. By combining a trailed SYNKRO 3030 with an implement-mounted VITASEM seed drill, you gain maximum flexibility and cost effectiveness.**

Combining a SYNKRO stubble cultivator with a VITASEM seed drill provides the basis for high-performance and cost-effective mulch drilling technology. The VITASEM implement-mounted drill can also be used in combination with a TERRADISC disc harrow, LION power harrow or FOX compact combination.



## Working cost-effectively

Moreover, trailed SYNKRO models can also be used on their own for shallow or deep soil cultivation. This allows high output to be achieved with smaller tractors.



## Flexible all-rounder

The VITASEM seed drill can be mounted on the rubber-packer roller quickly and easily. You can therefore use the SYNKRO MULTILINE at any time on its own for stubble cultivation or seedbed preparation. This turns the SYNKRO MULTILINE into a high-performance all-rounder for a wide range of applications.



## Trailed tillage implements

The SYNKRO MULTILINE is a trailed implement. This means that the load acting on the rear axle of the tractor is minimised. At headlands and during transport, the unit is lifted on the rubber packer roller. This ensures smooth running, high ground clearance, and a low soil compaction at headlands.



## MULTILINE hitch connection

- Drawbar connects to Cat. II lower linkage.
- Lifted on rubber packer roller.
- 11.02" / 280 mm ground clearance.
- The MULTILINE combination is raised and lowered using a double-acting connection.
- Two check valves on the drawbar ensure safe road transport.



## Rubber packer roller

At the headland and during transport, the SYNKRO MULTILINE is lifted by the rubber-packer roller so the weight is distributed over the whole working width.

- The roller ensures excellent stability on the road.
- Less compaction at headlands.







## Straightforward and compact

VITASEM A or VITASEM ADD seed drills are mounted as standard above the packer roller. This allows the seed drill to be fitted or removed easily – depending on whether the SYNKRO is to be used on its own or not. As a result, the MULTILINE combination is a real multi-talent with a wide range of applications.

### From stubble cultivation to mulch drilling

- Reverse under the seed drill and lift the support arms.
- Insert retention pins to secure seed drill.
- Connect top link between cultivator and seed drill.
- Plug in the cable for lighting and metering drive.
- Remove parking stands from seed drill.

Within just a few minutes, the trailed stubble cultivator becomes an efficient, fully-functional mulch seed drill. The MULTILINE concept offers arable farmers a wide range of combination possibilities, meeting the demands of the market.

When you purchase a SYNKRO 3030 MULTILINE, all combination options remain open so the configuration can be changed later if needed. An existing 102 series VITASEM implement-mounted seed drill can easily be integrated into the MULTILINE concept.







# SYNKRO T

Three-row trailed cultivators



**The transport chassis ensures that the hitch and rear axle of the tractor are not overloaded. The chassis is wide with a low centre of gravity for excellent driving stability. It also can be lowered for road transport. The automatic transport interlocks also contribute to safety on the road.**

## For high output

**SYNKRO 4030 T / SYNKRO 5030 T / SYNKRO 6030 T**

The transport chassis is raised during operation in the field. This exerts extra load on the tines. Reliable penetration is therefore guaranteed on heavy, dry and hard ground.

On the trailed stubble cultivators, the sturdy longitudinal beams are also tapered towards the headstock. Perfect power transfer across the entire working width.

The cultivators are folded in two halves to achieve a low transport height. The transport interlock system engages and disengages automatically using a hydraulic cylinder and locking pin.





## Performance and convenience

Working depth is easily adjusted using a pin-in-hole system on either side of the implement. Access is easy and risk-free.

- Only one adjustment point at the front on each side – even on trailed cultivators.
- The position of the rear roller is locked to provide additional transfer of weight from the rear roller to the stubble cultivator.



## Practical drawbar

The drawbar is mounted on the standard headstock. The adjustable top link allows a perfect match to the tractor. Optimum ground clearance at headlands and during transport is ensured.

The lower linkage mounting yoke features Cat. 3, width 2 or Cat. 3, width 3 clevis-type lugs. Cat. 4 is available as an option. A telescopic drawbar with various connections is also available. A steering angle of up to 95° is possible with an overall tractor width of 9.84' / 4.20 m. Hose holders and parking stands come as standard.



## Generously dimensioned chassis

The chassis is mounted at the rear with supports through to the headstock. Perfect adjustment for the rear roller and plenty of lifting height are guaranteed.

500/45-17 tyres are standard, while for softer ground 550/45-22.5 tyres are also available.





### Safe on the move

Air brakes or hydraulic brakes are also available to provide enhanced safety at driving speeds up to the legal limit. A hand brake is provided for safe parking.

## Support wheels for smooth guidance

Two 260/70-15.3 front support wheels are available to provide ground contour following. Depth is adjusted using a ratchet turnbuckle each side.



## Rear rollers

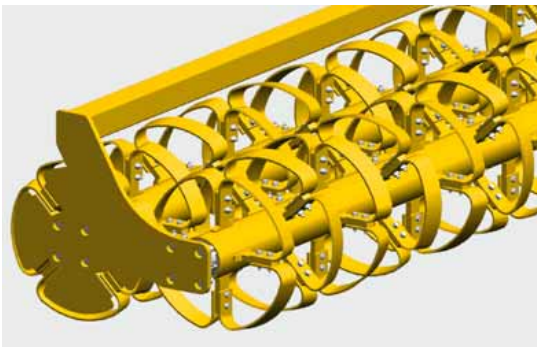
The choice of rear rollers for trailed machinery includes a cage roller, double cage roller, pack ring roller, tandem CONOROLL and rubber packer roller.

### Tandem CONOROLL roller

The tandem CONOROLL consists of 2 rollers with strip thickness of 0.31" / 8 mm. The diameter of the rings is 22.04" / 560 mm. Ideal for trailed SYNKROs.

The rollers overlap each other and each has a footprint of 50 % of the working width. This works well on light soil.

- The inclination of the roller can be quickly adjusted using a pin-in-hole matrix to allow for the working depth and operating conditions.
- No scrapers required; rollers self-clean effectively.
- Raised on rear roller at headlands, so there are no problems driving backwards.
- Side-mounted edging boards guarantee smooth operation in harvest residues and stony areas









# TEGOSEM

## Cover crop sowing system



### TEGOSEM 200 / TEGOSEM 500

The TEGOSEM cover crop sowing unit combines soil cultivation and sowing a cover crop in a single pass to save time and costs. The TEGOSEM can be combined with the PÖTTINGER SYNKRO stubble cultivators as well as with TERRADISC disc harrows. This new unit can be used together with three-point mounted and trailed machines.

|                  | Cultivator type | TEGOSEM     | Fan drive system | Hopper location   | Volume gal / litres | Weight lbs / kg |
|------------------|-----------------|-------------|------------------|-------------------|---------------------|-----------------|
| TERRADISC 3001   | Rigid 3-point   | TEGOSEM 200 | Electric         | Rear rollers      | 43.99 / 200         | 297 / 135       |
| TERRADISC 3501   | Rigid 3-point   | TEGOSEM 200 | Electric         | Rear rollers      | 43.99 / 200         | 297 / 135       |
| TERRADISC 4001   | Rigid 3-point   | TEGOSEM 200 | Electric         | Rear rollers      | 43.99 / 200         | 297 / 135       |
| TERRADISC 4001 K | Folding 3-point | TEGOSEM 200 | Electric         | Central holder TD | 43.99 / 200         | 297 / 135       |
| TERRADISC 5001 K | Folding 3-point | TEGOSEM 200 | Hydraulic        | Central holder TD | 43.99 / 200         | 297 / 135       |
| TERRADISC 6001 K | Folding 3-point | TEGOSEM 200 | Hydraulic        | Central holder TD | 43.99 / 200         | 297 / 135       |
| TERRADISC 4001 T | Folding trailed | TEGOSEM 500 | Hydraulic        | Drawbar           | 132.08 / 500        | 529 / 240       |
| TERRADISC 5001 T | Folding trailed | TEGOSEM 500 | Hydraulic        | Drawbar           | 132.08 / 500        | 529 / 240       |
| TERRADISC 5001 T | Folding trailed | TEGOSEM 500 | Hydraulic        | Drawbar           | 132.08 / 500        | 529 / 240       |



# TEGOSEM cover crop sowing system



## Hydraulic or electric fan

The fan is driven electrically up to a working width of 13.12' / 4.0 metres and hydraulically when wider than 16.40' / 5.0 metres. For trailed stubble cultivators and disc harrows, such as the TERRADISC T, the TEGOSEM is only available with a hydraulically driven fan.

## Standard equipment and controls

The TEGOSEM is operated from the driver's seat using a convenient control terminal.



## Functions

- Metering shaft control & monitoring, Output rate electronically adjustable
- Display in kg/ha
- Priming function
- Headland management
- Automatic calibration
- Total hectare counter and daily hectare counter
- Calibration button – calibration at the press of a button
- Emptying function to drain seed tank
- Filling level sensor
- DGPS sensor for senses forward speed
- Pressure gauge is fitted on hydraulically driven fans for trailed machines
- Sensors on top link or chassis for start/stop metering control
- Safe access using platform
- Small and large seed metering wheels







### **Precision sowing**

An electrically driven metering system ensures even seed distribution and application with a TEGOSEM. Two different metering shafts are provided as standard to ensure precision distribution for fine or coarse metering, even at low seed flow rates. Eight outlets handle seed distribution.

### **Seed distribution**

The seed material is distributed pneumatically using distribution plates. This guarantees pinpoint precision regardless of the wind conditions. The distributor plates are adjusted by changing the mounting bar angle.



### **Calibration**

Calibration is easy: the calibration procedure is started at the press of a button and a calibration bag is provided as standard equipment. Intuitive menu guidance makes each calibration step easy to follow.

### **Metering start/stop**

A sensor on the top link detects when to start and stop metering. On trailed machines, this is detected using a load cell on the drawbar.



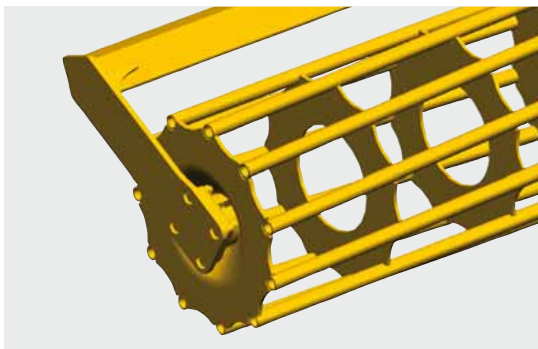






# Rear rollers

For perfect results



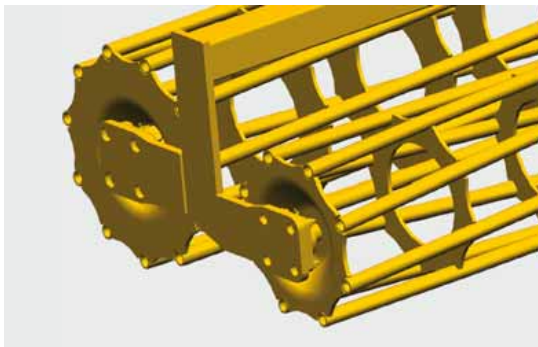
**It's your choice. PÖTTINGER offers a wide range of rear rollers for perfect results with the desired tilth in any type of soil. The whole range of rollers features precision manufacturing and robust design engineering.**

## Cage roller

The ideal roller for dealing with dry, non-sticky soils. The roller is fitted with strong bars for optimal compression.

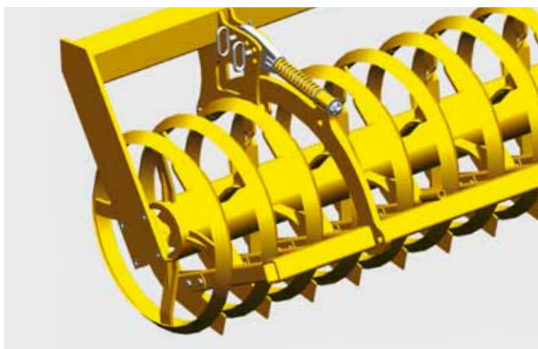
Diameter 21.25" / 540 mm, 11 bars;

Diameter 25.98" / 660 mm, 12 bars.



## Double cage roller

The double cage roller is fitted with two different diameter rollers (21.25" / 540 mm front and 16.53" / 420 mm rear). The pendular function ensures optimum ground tracking and perfect tilth.



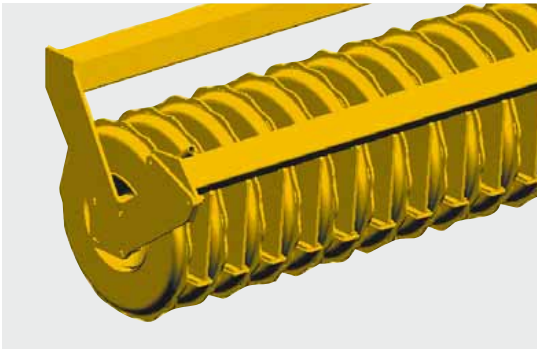
## Knife ring roller

The advantages of the knife ring roller with a diameter of 21.25" / 540 mm include enhanced crumbling and re-consolidating by means of wedge-shaped rings. The knives between the rings break up clods and keep the rings clean. Compression in strips has the advantage that water can be absorbed better. The right choice if you are working on dry and heavy soil with no rocks or stones.



## Pack ring roller

The packer rings, which are enclosed, have a diameter of 21.25" / 550 mm with eight rings per metre of working width. The roller leaves behind consolidated ridges, promoting drainage and soil respiration. This is the ideal roller on stony, damp ground with large quantities of organic matter.



## Rubber packer roller

The perfect roller for widely varied soil conditions. Especially for use with trailed implements where the load-bearing capacity of other rollers is near the limit. A diameter of 23.22" / 590 mm and the special profiling allows the soil to be compacted in rows.

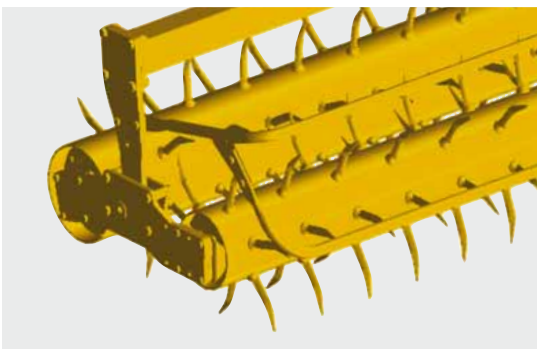
### **MULTILINE rubber packer roller**

At headlands and during transport, the stubble cultivator is lifted on the rubber packer roller. The diameter of 23.03" / 585 mm ensures excellent stability and a smooth ride on the road.

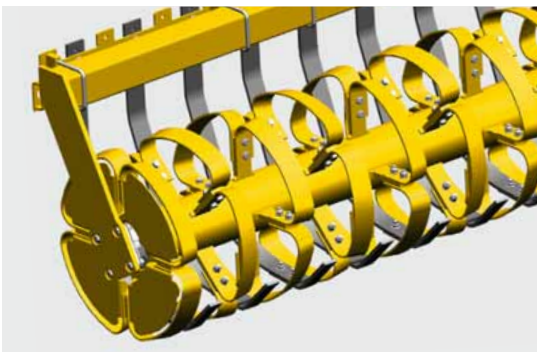


## Rotopack roller

Rotopack rollers mix particularly intensively – for light to heavy, non-sticky soils. Harvest residues remain on the surface of the soil and protect your soil against drying out. Working width 9.84' / 3.0 m.







## CONOROLL roller

This roller consists of rings with a diameter of 21.25" / 540 mm. Each ring is made up of four conical segments that are offset to the left and right. The result is a slot with alternate indentations on either side. When rainwater seeps into these indentations, they prevent it from flowing away. Erosion caused by rainfall is minimised thanks to the optimum structure created on the soil surface. The loose soil between the rings ensures good drainage.

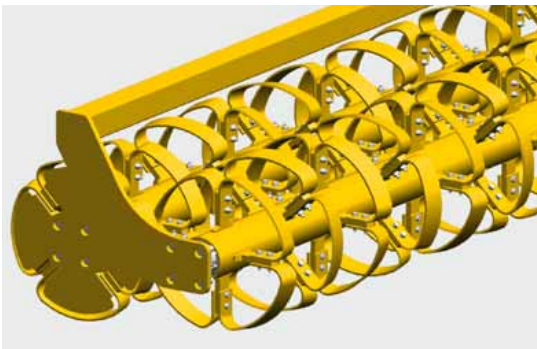
The gap between each ring is 5.90" / 150 mm. Spring-mounted scrapers are located in between. These promote the formation of a fine tilth while keeping the space between the rings clean.

The load-bearing capacity of the conical ring roller is limited on very light soil. This is an ideal roller for medium to heavy soils. The side segments are covered. This guarantees trouble-free operation in harvest residues and stones.



## Tandem CONOROLL roller

The tandem CONOROLL consists of 2 rollers. The diameter of the rings is 22.04" / 560 mm, strip thickness of 0.31" / 8 mm. Ideally suited to trailed machines.



- The rollers overlap. Each has a footprint of 50% of the working width. Works well on light soil.
- The inclination of the roller can be adjusted to allow for the working depth and conditions.
- Rollers self-clean effectively, no scrapers required. No problems driving backwards.



| <b>SYNKRO / SYNKRO NOVA</b> | <b>2520</b>                 | <b>3020</b>        | <b>4020 K</b>      | <b>5020 K</b>      | <b>6020 K</b>      |
|-----------------------------|-----------------------------|--------------------|--------------------|--------------------|--------------------|
| Linkage                     | Cat. 2 / 2                  | Cat. 2 / 2         | Cat. 3 / 3         | Cat. 3 / 3         | Cat. 3 / 3         |
| Working width               | 8,20' / 2.5 m               | 9.84' / 3.0 m      | 13.12' / 4.0 m     | 16.40' / 5.0 m     | 19.68' / 6.0 m     |
| Transport width             | 8,20' / 2.5 m               | 9.84' / 3.0 m      | 9.84' / 3.0 m      | 9.84' / 3.0 m      | 9.84' / 3.0 m      |
| Tines                       | 6                           | 7                  | 9                  | 11                 | 13                 |
| Levelling discs             | 5                           | 6                  | 9                  | 10                 | 12                 |
| Tine spacing                | 16.73" / 425 mm             | 16.53" / 420 mm    | 17.32" / 440 mm    | 17.71" / 450 mm    | 18.11" / 460 mm    |
| Box section frame           | 3.94 x 3.94" / 100 x 100 mm |                    |                    |                    |                    |
| Row spacing                 | 29.52" / 750 mm             |                    |                    |                    |                    |
| Frame height                | 31.49" / 800 mm             |                    |                    |                    |                    |
| Power requirement from      | 51 kW / 70 hp               | 66 kW / 90 hp      | 103 kW / 140 hp    | 110 kW / 150 hp    | 129 kW / 175 PS    |
| SYNKRO base weight lbs /kg  | 1521 lbs / 690 kg           | 1752 lbs / 795 kg  | 3042 lbs / 1380 kg | 3869 lbs / 1755 kg | 4596 lbs / 2085 kg |
| SYNKRO NOVA base weight     | 2050 lbs / 930 kg           | 2314 lbs / 1050 kg | 3736 lbs / 1695 kg | 4695 lbs / 2130 kg | 4695 lbs / 2350 kg |

| <b>SYNKRO Nachläufer</b> | <b>2520</b>       | <b>3020</b>       | <b>4020 K</b>     | <b>5020 K</b>      | <b>6020 K</b>      |
|--------------------------|-------------------|-------------------|-------------------|--------------------|--------------------|
| Cage roller 540 mm       | 617 lbs / 280 kg  | 716 lbs / 325 kg  | 1058 lbs / 480 kg | 1364 lbs / 619 kg  | 1499 lbs / 680 kg  |
| Cage roller 660 mm       | 398 lbs / 317 kg  | 936 lbs / 425 kg  | 1344 lbs / 610 kg | 1688 lbs / 766 kg  | 1873 lbs / 850 kg  |
| Double cage roller       | –                 | –                 | –                 | –                  | –                  |
| Knife ring roller        | 793 lbs / 360 kg  | 925 lbs / 420 kg  | 1344 lbs / 610 kg | 1587 lbs / 720 kg  | 1851 lbs / 840 kg  |
| Pack ring roller         | 1102 lbs / 500 kg | 1311 lbs / 595 kg | 1807 lbs / 820 kg | 2226 lbs / 1010 kg | 2623 lbs / 1190 kg |
| Rubber packer roller     | 1113 lbs / 505 kg | 1234 lbs / 560 kg | –                 | 2204 lbs / 1000 kg | 2469 lbs / 1120 kg |
| CONOROLL roller          | 815 lbs / 370 kg  | 947 lbs / 430 kg  | 1366 lbs / 620 kg | 1631 lbs / 740 kg  | 1895 lbs / 860 kg  |
| Tandem CONOROLL roller   | –                 | 1510 lbs / 685 kg | 2094 lbs / 950 kg | 2557 lbs / 1160 kg | 3020 lbs / 1370 kg |
| Rotopack roller          | –                 | 881 lbs / 400 kg  | –                 | –                  | –                  |





| <b>3030</b>        | <b>3530</b>        | <b>4030 K</b>      | <b>4030 T</b>               | <b>5030 K</b>      | <b>5030 T</b>      | <b>6030 T</b>       |
|--------------------|--------------------|--------------------|-----------------------------|--------------------|--------------------|---------------------|
| Cat. 2 / 2         | Cat. 2 / 2         | Cat. 3 / 2 / 3     | Cat. 3 / 2 / 3              | Cat. 3 / 2 / 3     | Cat. 3 / 2 / 3     | Cat. 3 / 2 / 3      |
| 9.84' / 3.0 m      | 11.48' / 3.50 m    | 13.12' / 4.0 m     | 13.12' / 4.0 m              | 16.40' / 5.0 m     | 16.40' / 5.0 m     | 19.68' / 6.0 m      |
| 9.84' / 3.0 m      | 9.84' / 3.0 m      | 9.84' / 3.0 m      | 9.84' / 3.0 m               | 9.84' / 3.0 m      | 9.84' / 3.0 m      | 9.84' / 3.0 m       |
| 11                 | 12                 | 14                 | 14                          | 18                 | 18                 | 22                  |
| 6                  | 7                  | 8                  | 8                           | 11                 | 11                 | 13                  |
| 10.62" / 270 mm    | 11.02" / 280 mm    | 11.02" / 280 mm    | 11.02" / 280 mm             | 11.02" / 280 mm    | 11.02" / 280 mm    | 10.62" / 270 mm     |
|                    |                    |                    | 3.94 x 3.94" / 100 x 100 mm |                    |                    |                     |
|                    |                    |                    | 29.52" / 750 mm             |                    |                    |                     |
|                    |                    |                    | 33.46" / 850 mm             |                    |                    |                     |
| 80 kW / 110 hp     | 96 kW / 130 hp     | 110 kW / 150 hp    | 110 kW / 150 hp             | 132 kW / 180 hp    | 132 kW / 180 hp    | 155 kW / 210 hp     |
| 2248 lbs / 1020 kg | 2557 lbs / 1160 kg | 4023 lbs / 1825 kg | 6238 lbs / 2830 kg          | 5489 lbs / 2490 kg | 8112 lbs / 3680 kg | 8355 lbs / 3790 kg  |
| 3064 lbs / 1390 kg | 3395 lbs / 1540 kg | 5191 lbs / 2355 kg | 7286 lbs / 3305 kg          | 6790 lbs / 3080 kg | 9435 lbs / 4280 kg | 10241 lbs / 4650 kg |

| <b>3030</b>       | <b>3530</b>       | <b>4030 K</b>     | <b>4030 T</b>     | <b>5030 K</b>      | <b>5030 T</b>      | <b>6030 T</b>      |
|-------------------|-------------------|-------------------|-------------------|--------------------|--------------------|--------------------|
| 716 lbs / 325 kg  | –                 | 1058 lbs / 480 kg | –                 | 1364 lbs / 619 kg  | –                  | –                  |
| 936 lbs / 425 kg  | –                 | 1344 lbs / 610 kg | 1344 lbs / 610 kg | 1688 lbs / 766 kg  | 1688 lbs / 766 kg  | 1873 lbs / 850 kg  |
| 1146 lbs / 520 kg | –                 | 1675 lbs / 760 kg | 1675 lbs / 760 kg | 1940 lbs / 880 kg  | 1940 lbs / 880 kg  | 2292 lbs / 1040 kg |
| 925 lbs / 420 kg  | 1036 lbs / 470 kg | 1344 lbs / 610 kg | –                 | 1587 lbs / 720 kg  | –                  | –                  |
| 1311 lbs / 595 kg | 1565 lbs / 710 kg | 1807 lbs / 820 kg | 1807 lbs / 820 kg | 2226 lbs / 1010 kg | 2226 lbs / 1010 kg | 2623 lbs / 1190 kg |
| 1234 lbs / 560 kg | –                 | –                 | –                 | 2204 lbs / 1000 kg | 2204 lbs / 1000 kg | 2469 lbs / 1120 kg |
| 947 lbs / 430 kg  | 1124 lbs / 510 kg | 1366 lbs / 620 kg | –                 | 1631 lbs / 740 kg  | –                  | –                  |
| 1510 lbs / 685 kg | –                 | 2094 lbs / 950 kg | 2094 lbs / 950 kg | 2557 lbs / 1160 kg | 2557 lbs / 1160 kg | 3020 lbs / 1370 kg |
| 881 lbs / 400 kg  | –                 | –                 | –                 | –                  | –                  | –                  |

# Standard & Optional Equipment



**Double-diamond share with goose wing**

**DURASTAR chisel point**

**DURASTAR chisel point with armoured wings**

**Edging plate left/right**

|               |                          |                          |                          |                          |
|---------------|--------------------------|--------------------------|--------------------------|--------------------------|
| SYNKRO 2520   | <input type="checkbox"/> | <input type="checkbox"/> | <input type="checkbox"/> | <input type="checkbox"/> |
| SYNKRO 3020   | <input type="checkbox"/> | <input type="checkbox"/> | <input type="checkbox"/> | <input type="checkbox"/> |
| SYNKRO 4020 K | <input type="checkbox"/> | <input type="checkbox"/> | <input type="checkbox"/> | <input type="checkbox"/> |
| SYNKRO 5020 K | <input type="checkbox"/> | <input type="checkbox"/> | <input type="checkbox"/> | <input type="checkbox"/> |
| SYNKRO 6020 K | <input type="checkbox"/> | <input type="checkbox"/> | <input type="checkbox"/> | <input type="checkbox"/> |



**Double-diamond share with goose wing**

**DURASTAR chisel point**

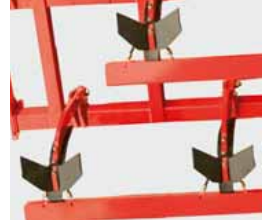
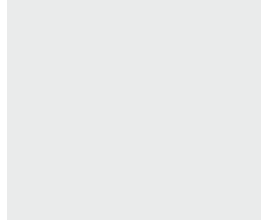
**DURASTAR chisel point with armoured wings**

**Edging plate left/right**

|               |                          |                          |                          |                          |
|---------------|--------------------------|--------------------------|--------------------------|--------------------------|
| SYNKRO 3030   | <input type="checkbox"/> | <input type="checkbox"/> | <input type="checkbox"/> | <input type="checkbox"/> |
| SYNKRO 3530   | <input type="checkbox"/> | <input type="checkbox"/> | <input type="checkbox"/> | <input type="checkbox"/> |
| SYNKRO 4030 K | <input type="checkbox"/> | <input type="checkbox"/> | <input type="checkbox"/> | <input type="checkbox"/> |
| SYNKRO 5030 K | <input type="checkbox"/> | <input type="checkbox"/> | <input type="checkbox"/> | <input type="checkbox"/> |
| SYNKRO 4030 T | <input type="checkbox"/> | <input type="checkbox"/> | <input type="checkbox"/> | <input type="checkbox"/> |
| SYNKRO 5030 T | <input type="checkbox"/> | <input type="checkbox"/> | <input type="checkbox"/> | <input type="checkbox"/> |
| SYNKRO 6030 T | <input type="checkbox"/> | <input type="checkbox"/> | <input type="checkbox"/> | <input type="checkbox"/> |

■ = Standard, □ = Optional





**Rear harrow**

**Levelling tines**

**Support wheels  
10/75-15.3**

**Tine protection**

**Warning signs with  
Lighting**

|                          |                          |                          |                          |                          |
|--------------------------|--------------------------|--------------------------|--------------------------|--------------------------|
| <input type="checkbox"/> | <input type="checkbox"/> | -                        | -                        | <input type="checkbox"/> |
| <input type="checkbox"/> | <input type="checkbox"/> | -                        | <input type="checkbox"/> | <input type="checkbox"/> |
| <input type="checkbox"/> | <input type="checkbox"/> | <input type="checkbox"/> | <input type="checkbox"/> | <input type="checkbox"/> |
| <input type="checkbox"/> | <input type="checkbox"/> | <input type="checkbox"/> | <input type="checkbox"/> | <input type="checkbox"/> |
| <input type="checkbox"/> | <input type="checkbox"/> | <input type="checkbox"/> | <input type="checkbox"/> | <input type="checkbox"/> |



**Rear harrow**

**Levelling tines**

**Depth wheels  
10/75-15.3 / 260/70-15.3**

**Tine protection**

**Warning signs with  
Lighting**

|                          |                          |                                     |                          |                                     |
|--------------------------|--------------------------|-------------------------------------|--------------------------|-------------------------------------|
| <input type="checkbox"/> | <input type="checkbox"/> | -                                   | <input type="checkbox"/> | <input type="checkbox"/>            |
| <input type="checkbox"/> | <input type="checkbox"/> | -                                   | <input type="checkbox"/> | <input type="checkbox"/>            |
| <input type="checkbox"/> | <input type="checkbox"/> | <input type="checkbox"/> 10/75-15.3 | <input type="checkbox"/> | <input type="checkbox"/>            |
| <input type="checkbox"/> | <input type="checkbox"/> | <input type="checkbox"/> 10/75-15.3 | <input type="checkbox"/> | <input type="checkbox"/>            |
| -                        | -                        | <input type="checkbox"/>            | <input type="checkbox"/> | <input checked="" type="checkbox"/> |
| -                        | -                        | <input type="checkbox"/>            | <input type="checkbox"/> | <input checked="" type="checkbox"/> |
| -                        | -                        | <input type="checkbox"/>            | <input type="checkbox"/> | <input checked="" type="checkbox"/> |

**More equipment options**

- DRILLBOX cover crop seed drill for (SYNKRO 2520 / 3020 / 3030)
- TEGOSEM cover crop sowing system for rigid-frame and trailed SYNKRO
- MULTILINE equipment for SYNKRO 3030
- Duck foot tine with quick-change for three-row SYNKRO
- Narrow tine with quick-change for three-row SYNKRO
- Telescopic drawbar for trailed SYNKRO
- Dual-circuit air brake system for trailed SYNKRO
- Hydraulic brake system for trailed SYNKRO



**Your machine goes online.**

All the information on your machine  
**easily – anytime – anywhere**

Simply scan the QR code on the **data plate** with your smartphone or tablet or enter your machine number at [www.poettinger.at/poetpro](http://www.poettinger.at/poetpro). You will immediately receive all the information on your machine.

- Instruction manual
- Optional equipment information
- Brochures
- Photos and videos



**PÖTTINGER Spare parts service**

- Worldwide network of sales and service partners.
- Decades of spare and wear parts availability.
- Original PÖTTINGER parts can be ordered online around the clock.

**PÖTTINGER Landtechnik GmbH**

Industriegelände 1  
4710 Grieskirchen  
Austria  
Phone +43 7248 600-0  
Fax +43 7248 600-2513  
[info@poettinger.at](mailto:info@poettinger.at)  
[www.poettinger.at](http://www.poettinger.at)

**POETTINGER US, Inc.**

393 Pilot Drive  
Valparaiso, IN 46383  
USA  
Phone +1 219 510 5534  
Fax + 1 219 707 5412  
[sales.us@poettinger.us](mailto:sales.us@poettinger.us)  
[www.poettinger.us](http://www.poettinger.us)

**Importer for New Zealand:**

**Origin Agroup**  
PO Box 673, 57 Hautapu Road  
Cambridge  
New Zealand  
Phone +64 7 823 7582  
[info@originagroup.co.nz](mailto:info@originagroup.co.nz)  
[www.originagroup.co.nz](http://www.originagroup.co.nz)

**Alois PÖTTINGER UK Ltd.**

15 St Marks Road, Corby  
Northamptonshire,  
NN18 8AN  
United Kingdom  
Phone + 44 1536 272 220  
[info@pottingeruk.co.uk](mailto:info@pottingeruk.co.uk)  
[www.pottingeruk.co.uk](http://www.pottingeruk.co.uk)

**POETTINGER Australia PTY LTD**

11 Efficient Drive,  
Truganina VIC 3030  
Australia  
Phone +61 3 9359 2969  
[sales.au@poettinger.com.au](mailto:sales.au@poettinger.com.au)  
[www.poettinger.com.au](http://www.poettinger.com.au)

**Importer for South Africa:**

**VALTRAC**  
Cnr. Water & Buiten Street  
9585 Parys  
South Africa  
Phone +27 56 817 7338 7308  
[wynn@valtrac.co.za](mailto:wynn@valtrac.co.za)  
[www.valtrac.co.za](http://www.valtrac.co.za)

**POETTINGER Canada Inc.**

650, Route 112  
St-Cesaire, PQ J0L 1T0  
Canada  
Phone +1 450 469 5594  
Fax +1 866 417 1683  
[sales.canada@poettinger.ca](mailto:sales.canada@poettinger.ca)  
[www.poettinger.ca](http://www.poettinger.ca)

**POETTINGER Ireland Ltd.**

Industrial Estate  
Cashel Rd., Clonmel, Co. Tipperary  
Ireland  
Phone +353 52 6125766  
[info.ie@poettinger.at](mailto:info.ie@poettinger.at)  
[www.poettinger.ie](http://www.poettinger.ie)

