

# TERRADISC

PÖTTINGER compact disc harrows







# Revitalising the soil

## TERRADISC disc harrows

The TERRADISC compact disc harrow is designed specifically for stubble cultivation and seedbed preparation. The compact design and aggressive disc angle ensure reliable penetration and excellent mixing in of harvest residues.

The short construction is a key feature of PÖTTINGER compact disc harrows. With the TERRADISC, you have a choice of working depths between 1.18" and 4.72" / 30 and 120 mm. The offset configuration of the aggressively set discs mixes the harvest residues effectively into the soil. They deliver optimum processing of your soil.

## Contents

|  | Page |
|--|------|
| Rigid-framed compact disc harrows      | 5    |
| Folding compact disc harrows           | 11   |
| Trailed, foldable compact disc harrows | 12   |
| Rear rollers                           | 15   |
| Technical data / Equipment options     | 18   |

All information on technical data, dimensions, weights, output, etc. is approximate and is not binding.







# TERRADISC

Rigid-framed compact disc harrows



## Adjustable headstock

### **TERRADISC 3001 / TERRADISC 3501 / TERRADISC 4001**

Tractors with up to 190 hp have a huge range of hitch geometries. The range of mounting options offered by the headstock ensures excellent ground penetration and sufficient transport height.

Three lower linkage mounting heights with clevis-type mounting lugs are offered as standard. The headstock angle can be adjusted and with three top linkage positions optimum adaptation to any tractor is guaranteed.



## HEAVY DUTY frame

The compact frame is a trademark of the mounted TERRADISC harrow. Unique open frame design provides a perfect view of both disc gangs from the driver's seat.

- The first gang of discs is very close to the tractor for a very favourable centre of gravity.
- Compact, short design guarantees smooth and stable operation of the implement.



**A uniform surface finish with the best mixing performance meets farmer's and contractor's expectations in the field. To achieve this, PÖTTINGER has optimised the geometry, size, mounting angle and penetration angle of the discs. The result: Low drag resistance, perfect ground penetration, best crumbling and mixing effect.**

## TWIN ARM – the heart of the machine

Two solid forged carrier arms are welded to a very wide clamping bracket. This ensures that the discs always retain their position and angle. Even in heavy soil it is impossible for them to deviate to the side – hard wheel tracks are broken up consistently.

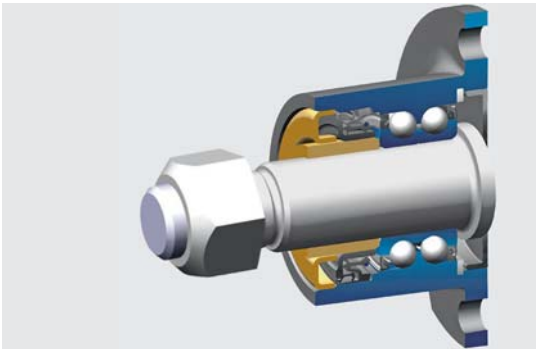
The rugged scalloped discs made of special heat-treated steel have a diameter of 22.83" / 580 mm. Eight discs per metre of working width equate to a spacing of just 4.92" / 125 mm. The optimised interplay of ground penetration angle and mounting angle ensure perfect performance. The offset configuration of the aggressive discs mixes harvest residues effectively into the soil.



## NON STOP stone protection

Proven over many years in the field, the maintenance-free NON STOP trip protection system features 1.57" / 40 mm thick rubber elements. The clamping brackets are mounted on a thick-walled box section frame. Four rubber elements between each wide clamping bracket and the box section provide the discs with high penetration power.





**Fast operating speeds and working depths down to 4.72" / 120 mm mean the disc bearings have to withstand considerable stress. That is why PÖTTINGER has implemented high-quality bearings for an extended service life.**

The special twin-race angular contact bearings have been adopted from the construction machinery industry. Ruggedness and reliability are guaranteed as a result and impacts are absorbed perfectly.

- The sealed, twin-race tapered bearings are completely maintenance-free.
- A labyrinth seal provides perfect protection for the bearing.
- A metal cover encapsulates the labyrinth seal for additional security.
- The bearings are fitted to the disc carrier arm by a stub axle.
- The nuts are protected by caps mounted on the same stub axle.

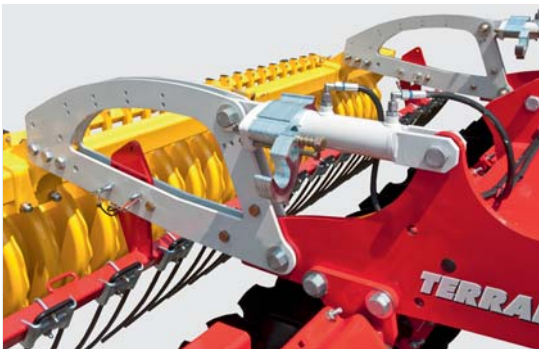


## Generous inter-disc clearance

Ideal cultivating results are achieved thanks to optimum spacing of the discs.

- Plenty of space between discs and carrier arms.
- The carrier arms are angled facing the direction of rotation so that there is no risk of stones or harvest trash becoming lodged between the disc and arm.
- A large clearance between the disc and clamping bracket means large quantities of organic matter can easily pass through.





## Convenient operation

The rear rollers assume the role of depth control for the disc harrow. Working depth is adjusted hydraulically and quickly without risk to the operator. The weight of the roller is transferred to the disc harrow during operation. Thus ensuring reliable penetration on dry and hard ground.

### Convenient adjustment

Setting up for different soil conditions must be quick and straightforward. On the TERRADISC compact disc harrow that's conveniently solved with hydraulic depth adjustment.

- Folding 0.2" / 5 mm-thick spacer plates are used to fine-tune depth control.
- The trailed harrow tines are adjusted in unison with the roller mounting arms.
- No complicated manual intervention required – convenience that every tractor driver deserves.

### Road Transport

The outer disc pairs are folded upwards hydraulically for transport on the road. The edging plate is simply pushed inwards for transport widths of 9.84', 11.48' and 3.12' / 3.0 m, 3.5 m and 4.0 m.

- The TERRADISC 3501 can be transported on the road unaccompanied in situations where laws permit a width of 11.48' / 3.50 m.
- That offers up to 17 % higher output compared to a 9.84' / 3.0 m implement.







## Adjustable outer discs

On the left and right the outermost concave discs are depth adjustable. This means you achieve perfect merging of passes.



## Levelling harrow

The optional spring steel levelling tines deflect the flow of soil to the rear roller, crumbling and levelling the ejected mixture of trash and soil. The height of the levelling tines, which are 0.55" / 14 mm thick and feature tangential geometry, is adjusted when the position of the rear roller is changed.

- The basic height and angle settings are preset using a pin-in-hole matrix.
- The position of the tines changes in accordance with the working depth. The deeper the setting the easier the flow of material to the rear.

## Edging boards as standard

For a uniform surface finish, adjustable edging boards are provided on both sides as standard equipment.







# TERRADISC K TERRADISC T

Folding compact disc harrows



**The large folding disc harrows have been developed for high output stubble cultivation and general seedbed preparation.**

**TERRADISC 4001 K / TERRADISC 5001 K / TERRADISC 6001 K  
Mounted, foldable compact disc harrows**

TERRADISC mounted disc harrows feature a compact frame. Three lower linkage heights with Cat. 2/2 and Cat. 3/3 clevis-type mounting lugs are standard. The three top linkage positions give optimum adjustment to fit all tractors.

## Convenient operation

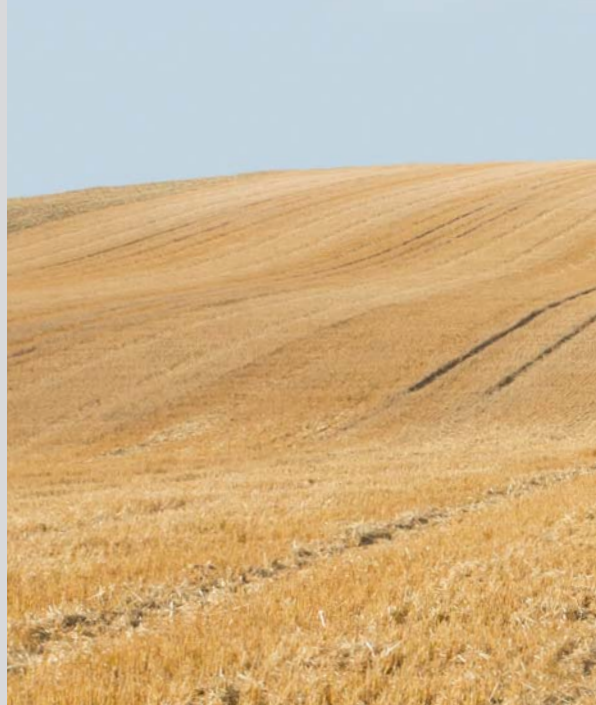
Working depth is quickly pre-set hydraulically without risk to the operator. Depth adjustment of the rear roller and levelling tines is fine-tuned using swing clips on the hydraulic cylinders. Access to the swing clips is easy and safe on both sides. The weight of the rear rollers is transferred to the disc harrow for reliable soil penetration.

### Road Transport

Hydraulic folding enables convenient and trouble-free road transport at a width of 9.19' / 2.80 m. The disc harrows are folded in two halves to achieve a low transport height. The automatic transport interlocks are operated by hydraulically actuated lock pins.



# TERRADISC T



## **TERRADISC 4001 T / TERRADISC 5001 T / TERRADISC 6001 T** **Trailed, foldable compact disc harrows**

The transport chassis ensures that the weight acting on the hitch and rear axle of the tractor is minimised.

### Practical drawbar

The drawbar is connected to the lower linkage and top linkage lugs. Optimum ground clearance at headlands and during transport can be adjusted precisely to each tractor thanks to a choice of top link positions. A drawbar and transport chassis can also be retro-fitted to TERRADISC K models for even greater flexibility.

- The drawbar is hooked up to the lower linkage using clevis-type mountings.
- A telescopic drawbar is also available. This enables a steering angle of 95° up to a tractor – overall width of 13.78' / 4.20 m.
- A ring hitch is also offered as an option.

### Rugged transport chassis

The wheel chassis is mounted directly to the main frame and linked to the headstock. The wide chassis with 500/45-17 tyres travels smoothly on the road.

- Air brakes or hydraulic brakes are offered as additional equipment options.
- These systems enhance safety at maximum permissible speeds and together with the parking brake comply with all road safety legislation.





During operation the wheel chassis is folded far forwards in front of the rear roller. Trailed models also feature hydraulic accumulators for smooth operation in the field. The additional load acting on the disc harrow ensures reliable penetration in all soil conditions.

- The choice of rear rollers includes a cage roller, double cage roller, knife packer roller and rubber packer roller.
- At the headland the TERRADISC T raised onto onto the rear roller and its weight distributed across the whole working width.
- The trailed TERRADISC is therefore very light on its feet at headlands.



## Tandem CONOROLL roller

The tandem CONOROLL consists of 2 rollers with a strip thickness of 0.31" / 8 mm. The diameter of the rings is 22.04" / 560 mm. Ideally suited to trailed TERRADISC machines.

The rollers overlap each other and each has a footprint of 50 % of the working width. This works well on light soil.



- The inclination of the roller can be quickly adjusted using a pin-in-hole matrix to allow for the working depth and operating conditions.
- No scrapers required; rollers self-clean effectively.
- Raised on rear roller at headlands, so there are no problems driving backwards.
- Side-mounted edging boards guarantee smooth operation in harvest residues and stony areas

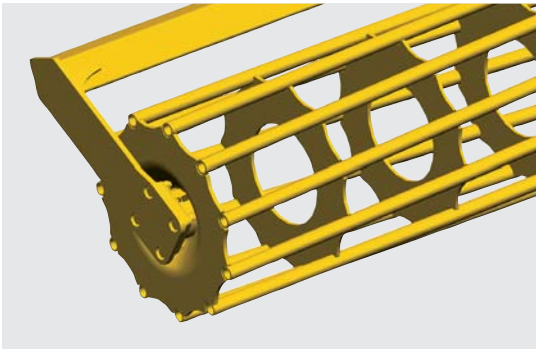






# Rear rollers

For perfect results



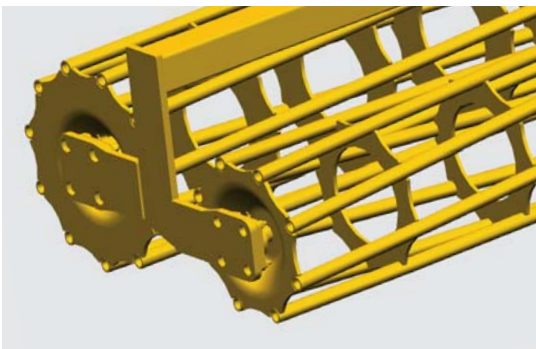
**It's your choice. PÖTTINGER offers a wide range of rear rollers for perfect results with the desired tilth in any type of soil. The whole range of rollers features precision manufacturing and robust design engineering.**

## Cage roller

The ideal roller for dealing with dry, non-sticky soils. The roller is fitted with strong bars for optimal compression.

Diameter 21.26" / 540 mm, 11 bars;

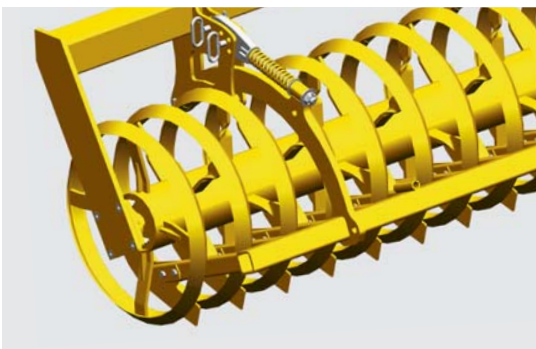
Diameter 25.98" / 660 mm, 12 bars.



## Double cage roller

The double cage roller is fitted with two different diameter rollers (21.26" front and 16.54" rear / 540 mm front and 420 mm rear).

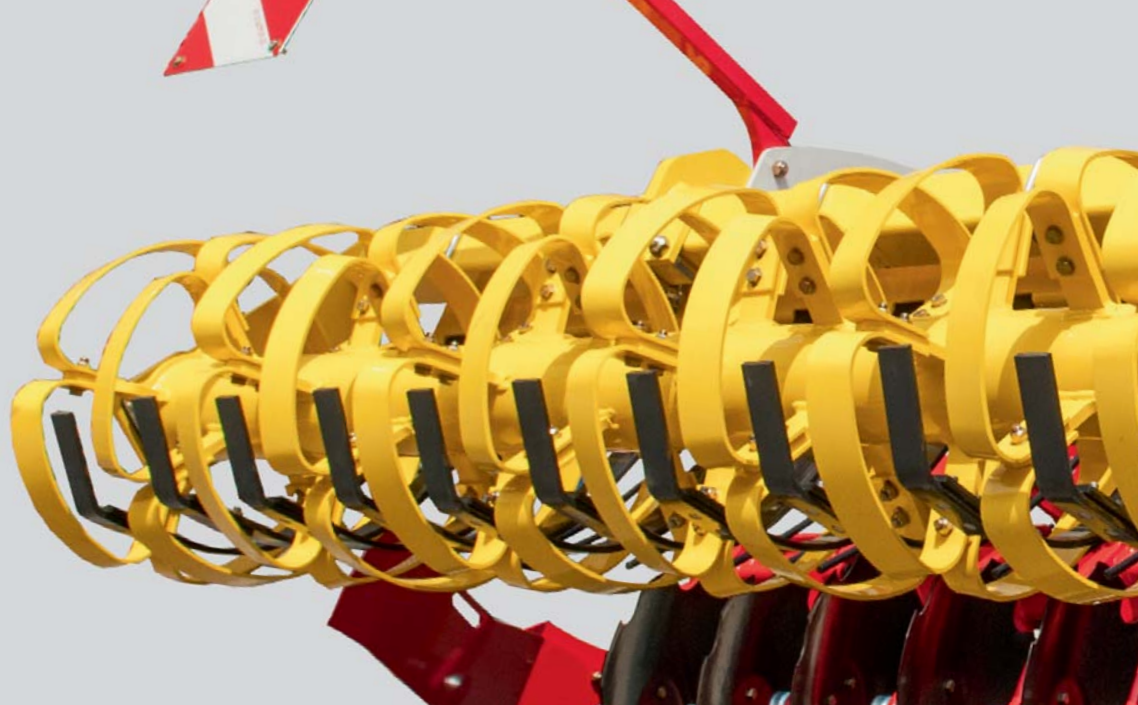
The pendular function ensures optimum ground tracking and perfect tilth.



## Knife ring roller

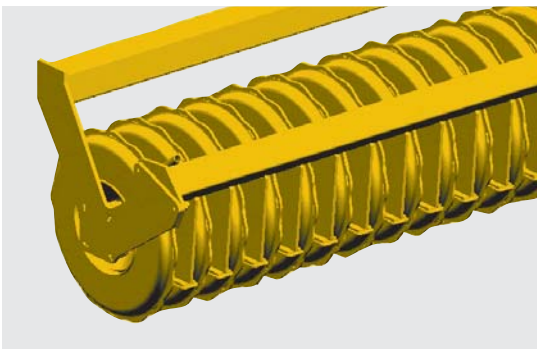
The advantages of the knife ring roller with a diameter of 21.26" / 540 mm include enhanced crumbling and re-consolidating by means of wedge-shaped rings. The knives between the rings break up clods and keep the rings clean. Compression in strips has the advantage that water can be absorbed better. The right choice if you are working on dry and heavy soil.





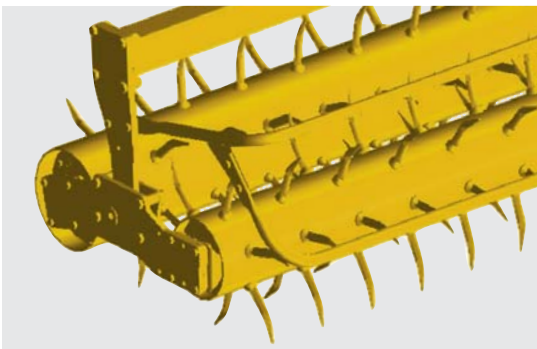
## Pack ring roller

The pack ring roller has a diameter of 21.65" / 550 mm with eight rings per metre of working width. The roller leaves behind consolidation in rows, promoting drainage and soil respiration. This is the ideal roller on stony, damp ground with large quantities of organic matter. The scrapers are coated for an extended working life.



## ROTOPACK roller

ROTOPACK rollers mix particularly intensively – for light to heavy, non-sticky soils. Harvest residues remain on the surface of the soil and protect your soil against drying out (only up to 9.84' / 3.0 m working width).

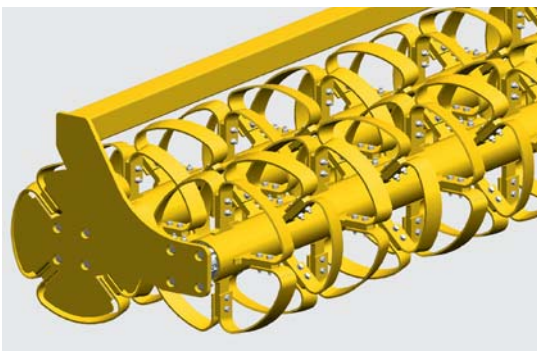
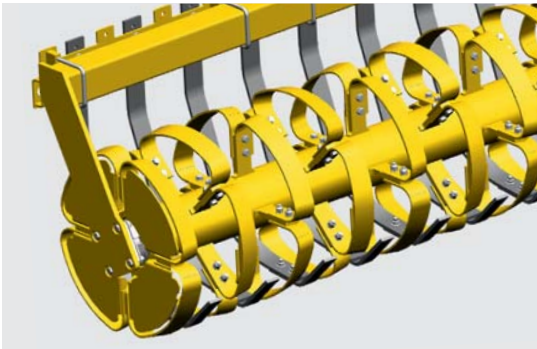


## Rubber packer roller

The perfect roller for widely varied soil conditions. Especially for use with trailed implements where the load-bearing capacity of other rollers is near the limit. A diameter of 23.23" / 590 mm and the special profiling allows the soil to be compacted in rows. The scrapers are coated for an extended working life.







## CONOROLL roller

This roller consists of rings with a diameter of 540 mm. Each ring is made up of four conical segments that are offset to the left and right. The result is a slot with alternate indentations on either side. When rainwater seeps into these indentations, they prevent it from flowing away. Erosion caused by rainfall is minimised thanks to the optimum structure created on the soil surface. The loose soil between the rings ensures good drainage.

The gap between each ring is 15 cm. Spring-mounted scrapers are located in between. These promote the formation of a fine tilth while keeping the space between the rings clean.

The load-bearing capacity of the conical ring roller is limited on very light soil. This is an ideal roller for medium to heavy soils. The side segments are covered. This guarantees trouble-free operation in harvest residues and stones.

## Tandem CONOROLL roller

The tandem CONOROLL consists of 2 rollers. The diameter of the rings is 22.04" / 560 mm, strip thickness 0.31" / 8 mm. Ideally suited to trailed machines (see page 13).

- The rollers overlap. Each has a footprint of 50% of the working width. Works well on light soil.
- The inclination of the roller can be adjusted to allow for the working depth and conditions.
- Rollers self-clean effectively, no scrapers required.
- Raised on rear roller at headlands, so there are no problems driving backwards.

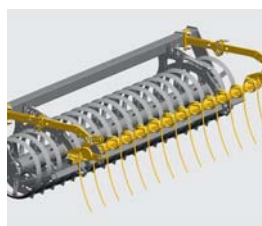


# Technical data / Equipment options

| TERRADISC                      | 3001             | 3501             | 4001             | 4001 K           |
|--------------------------------|------------------|------------------|------------------|------------------|
| Linkage                        | Cat. 2 / 2       | Cat. 2 / 2       | Cat. 3 / 3       | Cat. 2 / 2       |
| Working width, ft / m          | 9.84 / 3.0       | 11.48 / 3.5      | 13.12 / 4.0      | 13.12 / 4.0      |
| Transport width, ft / m        | 9.84 / 3.0       | 11.48 / 3.5      | 13.12 / 4.0      | 9.19 / 2.80      |
| Discs                          | 24               | 28               | 32               | 32               |
| Disc diameter, inch / mm       | 22.83 / 580      | 22.83 / 580      | 22.83 / 580      | 22.83 / 580      |
| Disc spacing, inch / mm        | 4.92 / 125       | 4.92 / 125       | 4.92 / 125       | 4.92 / 125       |
| Disc bearings                  | maintenance-free | maintenance-free | maintenance-free | maintenance-free |
| Gang spacing, inch / mm        | 35.43 / 900      | 35.43 / 900      | 35.43 / 900      | 35.43 / 900      |
| Frame height, inch / mm        | 29.52 / 750      | 29.52 / 750      | 29.52 / 750      | 29.52 / 750      |
| Power requirement from kW / hp | 70 / 95          | 85 / 115         | 100 / 135        | 100 / 135        |
| Basic weight, lbs / kg         | 3241 / 1470      | 3660 / 1660      | 4211 / 1910      | 5589 / 2535      |
| Levelling harrow               | 126 / 57         | 185 / 84         | 201 / 91         | 201 / 91         |
| Rear harrow                    | 192 / 87         | 209 / 95         | 333 / 151        | 333 / 151        |
| Cage roller 21.26' / 540 mm    | 716 / 325        | –                | 1058 / 480       | 1058 / 480       |
| Cage roller 25.98' / 660 mm    | 937 / 425        | –                | 1345 / 610       | 1345 / 610       |
| Double cage roller             | 1146 / 520       | –                | 1675 / 760       | 1675 / 760       |
| Knife ring roller              | 926 / 420        | 1036 / 470       | 1345 / 610       | 1345 / 610       |
| Pack ring roller               | 1312 / 595       | 1565 / 710       | 1808 / 820       | 1808 / 820       |
| CONOROLL roller                | 948 / 430        | 1124 / 510       | 1367 / 620       | 1367 / 620       |
| Tandem CONOROLL                | 1510 / 685       | –                | 1294 / 950       | 1294 / 950       |
| Rubber packer roller           | 1234 / 560       | –                | –                | –                |
| ROTOPACK roller                | 881 / 400        | –                | –                | –                |



**Levelling harrow**



**Rear harrow**



**Telescopic drawbar**



**Front levelling board**

|             |                          |                          |                          |                          |
|-------------|--------------------------|--------------------------|--------------------------|--------------------------|
| TERRADISC   | <input type="checkbox"/> | <input type="checkbox"/> | –                        | –                        |
| TERRADISC K | <input type="checkbox"/> | <input type="checkbox"/> | –                        | –                        |
| TERRADISC T | <input type="checkbox"/> | –                        | <input type="checkbox"/> | <input type="checkbox"/> |

■ = Standard, □ = Option



| 4001 T           | 5001 K           | 5001 T           | 6001 K           | 6001 T           |
|------------------|------------------|------------------|------------------|------------------|
| Cat. 3 / 2 / 3   | Cat. 3 / 2 / 3   | Cat. 3 / 2 / 3   | Cat. 3 / 2 / 3   | Cat. 3 / 2 / 3   |
| 13.12 / 4.0      | 16.40 / 5.0      | 16.40 / 5.0      | 19.69 / 6.0      | 19.69 / 6.0      |
| 9.19 / 2.80      | 9.19 / 2.80      | 9.19 / 2.80      | 9.19 / 2.80      | 9.19 / 2.80      |
| 32               | 40               | 40               | 48               | 48               |
| 22.83 / 580      | 22.83 / 580      | 22.83 / 580      | 22.83 / 580      | 22.83 / 580      |
| 4.92 / 125       | 4.92 / 125       | 4.92 / 125       | 4.92 / 125       | 4.92 / 125       |
| maintenance-free | maintenance-free | maintenance-free | maintenance-free | maintenance-free |
| 35.43 / 900      | 35.43 / 900      | 35.43 / 900      | 35.43 / 900      | 35.43 / 900      |
| 29.52 / 750      | 29.52 / 750      | 29.52 / 750      | 29.52 / 750      | 29.52 / 750      |
| 100 / 135        | 125 / 170        | 114 / 155        | 140 / 190        | 132 / 180        |
| 8300 / 3765      | 6581 / 2985      | 9513 / 4315      | 7749 / 3515      | 10450 / 4740     |
| 201 / 91         | 238 / 108        | 238 / 108        | 254 / 115        | 254 / 115        |
| –                | 368 / 167        | –                | 370 / 178        | –                |
| –                | 1365 / 619       | –                | 1499 / 680       | –                |
| 1345 / 610       | 1689 / 766       | 1689 / 766       | 1874 / 850       | 1874 / 850       |
| –                | 1940 / 880       | 1940 / 880       | 2293 / 1040      | 2293 / 1040      |
| –                | 1587 / 720       | –                | 1852 / 840       | –                |
| 1808 / 820       | 2227 / 1010      | 2227 / 1010      | 2623 / 1190      | 2623 / 1190      |
| –                | 8466 / 740       | –                | 1896 / 860       | –                |
| 1294 / 950       | 2557 / 1160      | 2557 / 1160      | 3020 / 1370      | 3020 / 1370      |
| –                | 2204 / 1000      | 2204 / 1000      | 2469 / 1120      | 2469 / 1120      |
| –                | –                | –                | –                | –                |



**Pneumatic brake**  
**Hydraulic brake**

**Warning sign with lighting**

|   |                                     |
|---|-------------------------------------|
| – | <input type="checkbox"/>            |
| – | <input type="checkbox"/>            |
| ■ | <input checked="" type="checkbox"/> |

### More equipment options

Telescopic drawbar with Cat. 4 lower linkage

Telescopic drawbar with Cat. 3 US coupling telescopic drawbar with ring hitch

Hydraulic cylinder for pivoting drawbar (recommended when using towing eye hitch).





# PÖTTINGER

**Your machine goes online.**

All the information on your machine  
**easily – anytime – anywhere**

Simply scan the QR code on the **data plate** with your smartphone or tablet or enter your machine number at [www.poettinger.at/poetpro](http://www.poettinger.at/poetpro). You will immediately receive all the information on your machine.

- Operating instructions
- Optional equipment information
- Brochures
- Photos and videos



# Original **24**

## **PÖTTINGER Spare parts service**

- Worldwide network of sales and service partners.
- Decades of spare and wear parts availability.
- Original PÖTTINGER parts can be ordered online around the clock.

### **PÖTTINGER Landtechnik GmbH**

Industriegelände 1  
4710 Grieskirchen  
Austria  
Phone +43 7248 600-0  
Fax +43 7248 600-2513  
[info@poettinger.at](mailto:info@poettinger.at)  
[www.poettinger.at](http://www.poettinger.at)

### **Alois PÖTTINGER UK Ltd.**

15 St Marks Road, Corby  
Northamptonshire,  
NN18 8AN  
United Kingdom  
Phone + 44 1536 272 220  
[info.uk@pottingeruk.co.uk](mailto:info.uk@pottingeruk.co.uk)  
[www.pottingeruk.co.uk](http://www.pottingeruk.co.uk)

### **PÖTTINGER Canada Inc.**

650, Route 112  
St-Cesaire, PQ J0L 1T0  
Canada  
Phone +1 450 469 5594  
Fax +1 866 417 1683  
[sales.canada@poettinger.ca](mailto:sales.canada@poettinger.ca)  
[www.poettinger.ca](http://www.poettinger.ca)

### **POETTINGER US, Inc.**

393 Pilot Drive  
Valparaiso, IN 46383  
USA  
Phone +1 219 510-5534  
Fax + 1 219 707-5412  
[sales.us@poettinger.us](mailto:sales.us@poettinger.us)  
[www.poettinger.us](http://www.poettinger.us)

### **POETTINGER Australia PTY LTD**

15 Fordson Road  
Campbellfield, VIC 3061  
Australia  
Phone +61 3 9359 2969  
[sales.au@poettinger.com.au](mailto:sales.au@poettinger.com.au)  
[www.poettinger.com.au](http://www.poettinger.com.au)

### **PÖTTINGER Ireland Ltd.**

Industrial Estate  
Cashel Rd., Clonmel, Co. Tipperary  
Ireland  
Phone +353 52 6125766  
[info.ie@poettinger.at](mailto:info.ie@poettinger.at)  
[www.poettinger.ie](http://www.poettinger.ie)

### **Importer for New Zealand:**

**Origin Agroup**  
PO Box 673, 57 Hautapu Road  
Cambridge  
New Zealand  
Phone +64 7 823 7582  
[info@originagroup.co.nz](mailto:info@originagroup.co.nz)  
[www.originagroup.co.nz](http://www.originagroup.co.nz)

### **Importer for South Africa:**

**VALTRAC**  
Cnr. Water & Buiten Street  
9585 Parys  
South Africa  
Phone +27 56 817 7338 7308  
[wynn@valtrac.co.za](mailto:wynn@valtrac.co.za)  
[www.valtrac.co.za](http://www.valtrac.co.za)

