

NOVACAT T

Trailed disc mowers from PÖTTINGER





Disc mowers for the perfect cut

NOVACAT 307 T

NOVACAT 307 T series mowers are fitted with a side-mounted drawbar. The drawbar is folded hydraulically and is safely secured in position using an integrated check valve. Choose between the proven EXTRA DRY tine-type conditioner and the RC roller-type conditioner. The NOVACAT 307 T COLLECTOR is fitted with a cross conveyor belt to merge crop swaths.

NOVACAT 3007 T / NOVACAT 3507 T

NOVACAT 3007 T and NOVACAT 3507 T trailed disc mowers are fitted with a centre-mounted drawbar. The drawbar can be pivoted hydraulically to either side so you can choose on which side of the tractor it should be operated. The mowers are offered with a choice of proven conditioners: the EXTRA DRY tine-type or the RC roller-type. NOVACAT 3007 T COLLECTOR and NOVACAT 3507 T COLLECTOR are fitted with a cross conveyor belt to merge crop swaths.

Contents

	Page
Drawbar / Frame / Driveline	5
3D ground hugging	9
PÖTTINGER cutter bars	10
ED / RC conditioners	14
Swath merging	16
Technical data / Equipment	18

All information on technical data, dimensions, weights, output, etc. is approximate and is not binding.



PÖTTINGER

MOWERCAT 307 T

25

www.pottinger.at

MOWERCAT 307 T

Drawbar Frame Driveline



The drawbar and chassis feature a heavy-duty design to meet the demands of high transport speeds. Large tyres also help ensure stable and safe transport.

HEAVY DUTY drawbar

The u shaped mounting yoke provides a free angle of movement of $\pm 30^\circ$. The tractor and mower can compensate for uneven ground independently of each other.



A folding parking leg and holders are for the PTO shaft, hoses and cables make it easy to hitch and unhitch. Hoses and cables routed inside the drawbar are protected against damage and offer a neat, uncluttered appearance.

Changing between working mode and transport mode is easy, thanks to the hydraulic folding system. A check valve is integrated into the hydraulic cylinder, reliably securing the drawbar in position. It is operated using one double-acting hydraulic connection on the tractor.

Centre-mounted drawbar for NOVACAT 3007 T and NOVACAT 3507 T

- The drawbar can be positioned to either side.
- This means that you can choose on which side the mower is to operate.

Side-mounted drawbar for NOVACAT 307 T

- The simpler, more cost-effective version.
- The drawbar can be secured in position using a tap when the mower is equipped with the optional swath placement system.



Driveline and frame



Smooth-running, durable driveline

The complete driveline is fitted with Walterscheid components designed for a power transfer of 132 kW/180 hp. Greasing is only required every 250 hours.

Linkage yoke with swivel gearbox

The machine is attached quickly and easily to the lower linkage. PTO speeds of 1000 rpm and 540 rpm can be selected by changing over the swivel gearbox. Full manoeuvrability is ensured even in the tightest of corners thanks to the unrestricted turning angle.

Centre-mounted drawbar drivetrain

On centre-mounted drawbar versions the driveline passes through a swivel gearbox that is steered by a track rod. This means that the driveshaft angle remains straight.

- On COLLECTOR models, the oil pump for the cross conveyor is flanged direct into the side gearbox.
- The conditioner is driven by V belts from the gearbox.

Side-mounted drawbar drivetrain

On side-mounted drawbar models the driveline runs directly to the side gearbox with a flanged 30° input shaft and results in stress free drive.

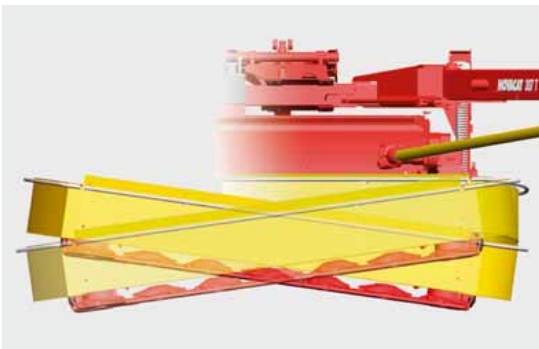
- Wide angle PTO shafts.
- The side gearbox splits the input drive between the cutter bar and the conditioner.
- A double universal joint in the cutterbar drive drum provides a stress-free link between the gearbox and the cutter bar.
- The gears run submerged in oil.



Rugged portal frame

Clever lifting system

The mower unit is suspended from a portal frame to ensure full freedom of movement. A special lifting system provides plenty of clearance for driving over large swaths without damaging them. 19.7" / 500 mm of clearance with standard 50/50-16 tyres or 21.65" / 550 mm with the optional ribbed-profile 11.5/80-15.3 tyres.



Parallel lift

Parallel lifting/lowering is enabled by feeding oil from one hydraulic cylinder to the cylinder on the opposite side. The portal frame is lifted uniformly without the need for a flow splitter.

Wide freedom of side-to-side movement

Suspending the mower unit from a portal frame gives the cutter bar a great deal of freedom of movement. The cutter bar is lowered within the portal frame, releasing the cutter bar for perfect ground hugging.



Effective weight alleviation

Two large dimensioned, easily-adjustable suspension springs guarantee optimum ground pressure in all conditions.



40

NOVACAT 3507 T

25

3D ground hugging



Three-dimensional ground hugging is ensured by the freedom of movement enabled by the cutter bar being suspended in the portal frame.

- The low-slung cantilever system lets the cutter bar glide over bumps and ridges.
- The guide arms are mounted on freely-moving ball joints.
- The guide bars facing up to the cutter bar provide excellent adaptation to ground contours.
- A top link guides the top of the mower unit to complete the four-point suspension system.

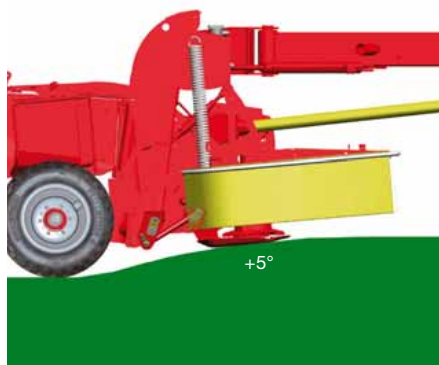


The cutting height can be adjusted quickly and easily using the top link adjuster. A locking lever ensures the setting cannot change of its own accord. A cutting height indicator is integrated in to the locking lever.

PÖTTINGER mowers cut perfectly on every terrain, even over ridges and dips in the ground.

Freedom of vertical movement

Up to 7.87" / 200 mm upwards, the cutter bar is included 5° upwards.
Up to 4.72" / 120 mm downwards, the cutter bar is included 3° downwards.

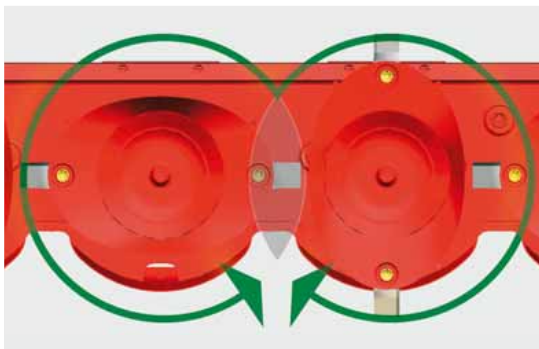


PÖTTINGER cutter bars

Quality made in Austria

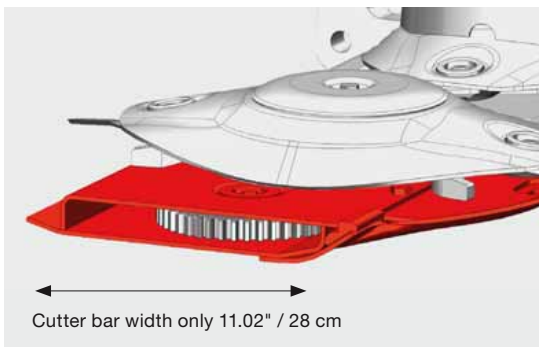


The heart of PÖTTINGER disc mowers is the cutter bar, proven over thousands of cuts in the field. NOVACAT disc mower cutter bars are developed and built at the company's main plant in Grieskirchen – a quality product made in Austria. First-class cutting quality, low drag resistance and strength are the trademarks of these cutter bars. Engineered details guarantee you reliable operation and contribute significantly to an extended service life.



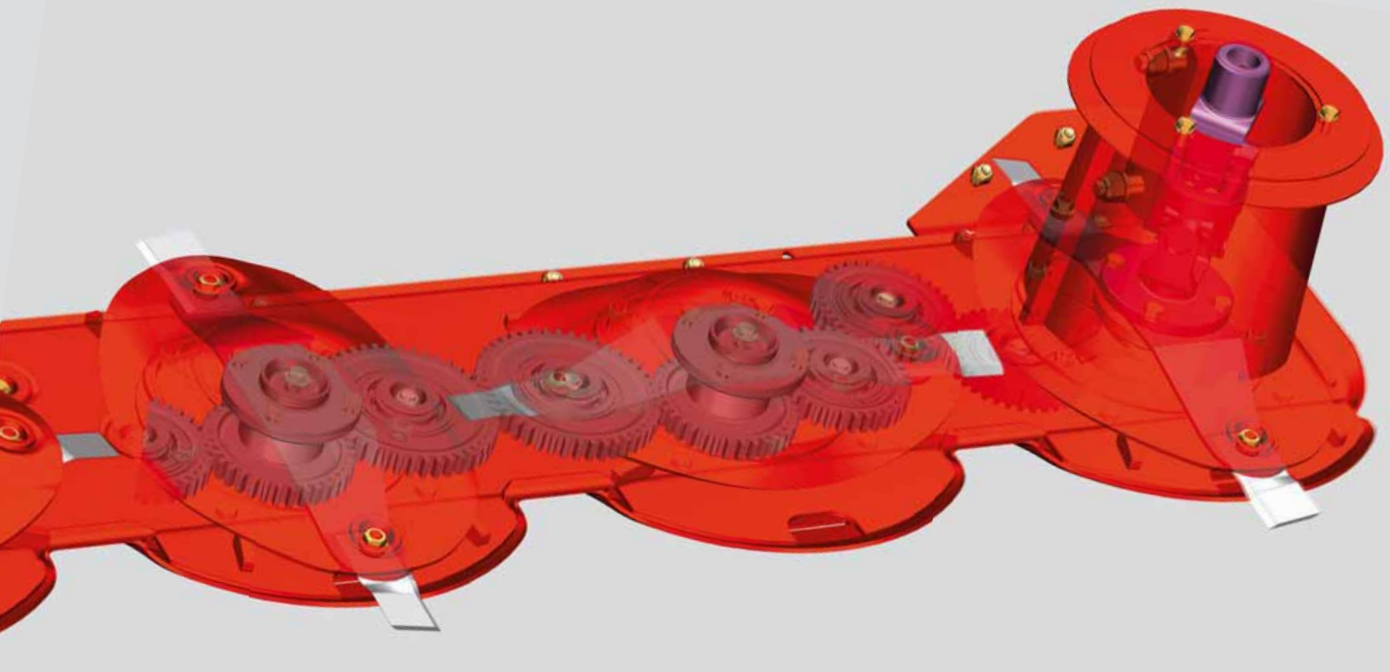
Optimum crop flow – clean forage

The rounded, low profile front edge lets the cutter bar glide smoothly over the ground and separates the crop tidily from the sward. The conveyor effect has been improved by the rounded conical surfaces of the mower discs. The crop flows through smoothly and uniformly, maintaining full cutting capacity in all operating conditions. Integrated paddles keep the cutter bar surface clean.



Perfect cutting quality

The sleek cutter bar is only 11.02" / 28 cm deep, perfect for enabling the best possible ground tracking. The mower blades rotate very close to the surface of the cutter bar and the counter blade. The optimised overlap of blade paths ensures a clean and uniform mowing pattern.



Engineered to impress

Durable mower discs

The oval, low profile mower discs are made of hardened fine-grained steel. Quick-change blades make maintenance easy.

Optional paddle cones

These improve the crop flow and enable swath formation.

High-strength stub shafts

The strength stub shafts are splined to the gears and are thus easy to replace when required.

HEAVY DUTY bearings

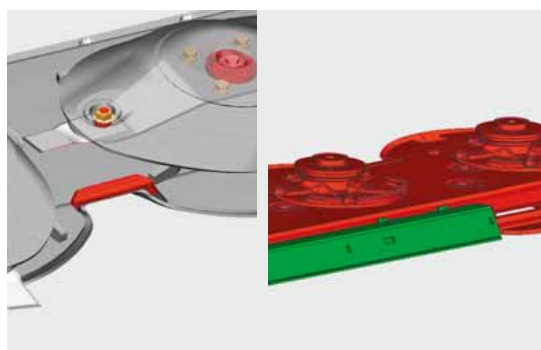
Durable, twin race tapered bearings with a bearing spacing of 2.36" / 60 mm are extremely stress-resistant.

TRI DRIVE – Optimised gears

Reliable power transmission

The spur gear drive runs in a straight line with virtually the same sized gears. All gears are hardened and machined for smooth running and a long service life.

- New gear pairs with the same diameter 39 / 50.
- Three teeth in contact – better power transmission – softer starting characteristics.
- New surface on gears ensures smoother running and a reduction in noise level.



Wear resistant skids

Wide skids made from hardened boron steel to resist impact and prevent the build-up of soil. Because the underside of the cutter bar is smooth with contoured skids inside and outside, it protects the sward even when cornering tightly.

As an option, you can fit additional wear skids to protect the underside of the cutter bar. The bolted skids can be easily changed if required.

Optional high-cut skids can be mounted to increase the cutting height from 1.97 and 4.72" / 50 to 120 mm. Their large radius and wide surface area make them especially wear resistant.

- High-cut skids + 1.57 inch / 40 mm.
- NEW: High-cut skids + 0.79 inch / 20 mm.
- NEW: High-cut skids also for both outer skids.

Top quality

The cutter bar is made from the best quality steel. The metal plate is precision laser-cut and robot-welded before machining at the state-of-the-art CNC machining centre.

- The blade pin is bolted to the mower disc. This can be replaced cost-effectively if required.
- The counter knife is clamped in place, meaning it is also easy to replace.
- HEAVY DUTY cutter bar. An additional cutter bar reinforcement is offered as an option for especially stony areas.



Easy with quick-change blades

Change blades quickly and easily: Press down the spring clip with the blade tool and replace the blade.

- The blade is locked securely in place by the spring clip.
- Lengthy, tough operation demands the best blade quality, which is why original PÖTTINGER blades are made from high-quality blade steel.
- A handy blade box provides space for replacement blades.



Maintenance-friendly

The guards fold away to provide optimum access to the cutter bar. Front guard curtain can be rolled up.

- Easy access for replacing blades and cleaning.
- Narrower transport width side guards secured with lynch pins.



Practical modular design

The bearing flange and fittings are reliably protected by rubber o-ring seals. The gears and bearings can be removed as one unit, while the idler gears are easily removed through the openings – it could not be more straightforward.

Conditioner

ED tine-type conditioner
RC roller-type conditioner



ED tine-type conditioner

The EXTRA DRY conditioner is a joint development with the Institute of Agricultural Engineering (IMAG-DLO) in Wageningen (Holland) that started in 1997 to prove there is better way. Your forage dries measurably faster thanks to the adjustable conditioning intensity and wide placement.

V-shaped steel tines of hardened steel guarantee a continuous flow of crop and an extended service life. The tines are mounted on rubber elements in a spiral configuration on the conditioning roller. The conditioner is driven by the gear unit using interchangeable belt pulleys.

EXTRA DRY drying accelerator

The tine rotor propels the forage across an adjustable conditioning plate. Adjustable guide vanes distribute the flow of crop over the whole mowed width. The forage is then deposited in a uniform and airy blanket by the wide-spread hood.

Adjustable swath doors can be used to form a swath.

Conditioning intensity

Very careful conditioning through to intensive processing can be selected in four steps using an adjusting lever. This alters the angle of the conditioning plate, which controls conditioning intensity.



RC roller-type conditioner

Profitable yields in dairy farming are only possible with high-quality base forage. Quality nutrients in the forage increases milk output at the same time as reducing the costs of concentrates. For leafy types of plant, PÖTTINGER offers a proven conditioner with crimping rollers.

The roller conditioner is especially suitable for lucernes and clovers due to its precision conditioning capabilities. The rollers intermesh to crimp the stalks and produce a uniform blanket of forage.

The roller profile is spiral-shaped and both rollers are driven.

Reliable and durable

The rugged central tube has a diameter of 5.51" / 140 mm and a wall thickness of 0.22" / 5.6 mm. The Polyurethane profile is vulcanised onto the central tube of the roller. The outer diameter is 7.87" / 200 mm. The conditioner profiles are harder than rubber and therefore particularly resistant to wear. The drive chains are lubricated automatically.

Reliable drive system

- Power is transmitted by drive belt to the lower roller and by chain to the upper roller.
- The upper roller is height-adjustable and the gap between the rollers can be set.
- Conditioning pressure is adjusted on both sides using coil spring adjusters.



Swath merging

COLLECTOR or swath placement system



Flexibility is required when mowing. High performance and variable swath placement are guaranteed with the COLLECTOR cross conveyor belt. Three swath placement capabilities will meet all your requirements.

COLLECTOR cross conveyor

Variable placement

Swaths can be placed in individual rows, as a wide-spread blanket, or merged to form one double swath.

The long and wide, continuous belt conveys the highest quantities of forage without risk of blockages. The drive roller is curved so that the belt always centres itself automatically. A central tensioning system makes it easy to adjust.

An add-on height-adjustable accelerator roller is also available to produce narrower swaths.

Dedicated drive system

The conveyor belt has its own built-in hydraulics, meaning no additional demand on the tractor's hydraulics system. The oil pump for the cross conveyor belt is flanged directly onto the main gearbox.

- The belt is driven by a splined stub shaft.
- The conveyor belt speed is set using a flow control valve.
- Electronic adjustment from the driver's seat is available as an option.

NOVACAT T RC COLLECTOR roller-type conditioner

An accelerator roller provides perfect, loss-free transfer of the crop to the cross conveyor belt.



A cost-effective form of swath placement is provided by swath boards, which are adjusted hydraulically.

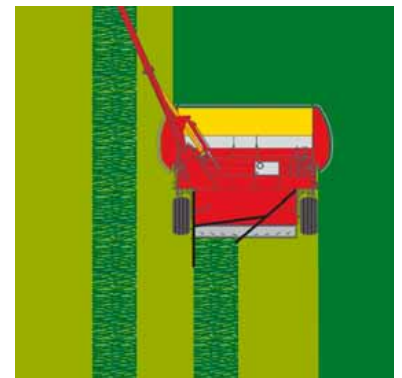
Swath placement system

Two long swath boards are shifted hydraulically to guide the forage to the left or right of the mower. This enables two swaths to be placed close enough together so that they can be collected by wide pickups in one pass.

Double swath width: approx. 9.84' / 3 m depending on type of forage.

This system is operated using the double-acting connection for positioning the drawbar, so only one double-acting connection is required. On the NOVACAT 307 T ED, the drawbar is locked in position by a tap.

On the NOVACAT 3007 T ED and NOVACAT 3507 T ED, a second double-acting connection is required.



Technical data / Equipment

	Working width	Mounting	Drawbar	Number of discs
NOVACAT 307 T ED	9.97 ft / 3.04 m	Cat. 2 / Width 2	Side	7
NOVACAT 307 T RC	9.97 ft / 3.04 m	Cat. 2 / Width 2	Side	7
NOVACAT 307 T ED COLLECTOR	9.97 ft / 3.04 m	Cat. 2 / Width 2	Side	7
NOVACAT 307 T RC COLLECTOR	9.97 ft / 3.04 m	Cat. 2 / Width 2	Side	7
NOVACAT 3007 T ED	9.97 ft / 3.04 m	Cat. 2 / Width 2	Centre	7
NOVACAT 3007 T RC	9.97 ft / 3.04 m	Cat. 2 / Width 2	Centre	7
NOVACAT 3007 T RC COLLECTOR	9.97 ft / 3.04 m	Cat. 2 / Width 2	Centre	7
NOVACAT 3507 T ED	11.35 ft / 3.46 m	Cat. 2 / Width 2	Centre	8
NOVACAT 3507 T RC	11.35 ft / 3.46 m	Cat. 2 / Width 2	Centre	8
NOVACAT 3507 T ED COLLECTOR	11.35 ft / 3.46 m	Cat. 2 / Width 2	Centre	8
NOVACAT 3507 T RC COLLECTOR	11.35 ft / 3.46 m	Cat. 2 / Width 2	Centre	8



	Wear skids	High-cut skids +0.79 / 1.57 inch +20 / 40 mm	Hydraulic Swath placement system
NOVACAT 307 T ED	<input type="checkbox"/>	<input type="checkbox"/>	<input type="checkbox"/>
NOVACAT 307 T RC	<input type="checkbox"/>	<input type="checkbox"/>	-
NOVACAT 307 T ED COLLECTOR	<input type="checkbox"/>	<input type="checkbox"/>	-
NOVACAT 307 T RC COLLECTOR	<input type="checkbox"/>	<input type="checkbox"/>	-
NOVACAT 3007 T ED	<input type="checkbox"/>	<input type="checkbox"/>	<input type="checkbox"/>
NOVACAT 3007 T RC	<input type="checkbox"/>	<input type="checkbox"/>	-
NOVACAT 3007 T RC COLLECTOR	<input type="checkbox"/>	<input type="checkbox"/>	-
NOVACAT 3507 T ED	<input type="checkbox"/>	<input type="checkbox"/>	<input type="checkbox"/>
NOVACAT 3507 T RC	<input type="checkbox"/>	<input type="checkbox"/>	-
NOVACAT 3507 T ED COLLECTOR	<input type="checkbox"/>	<input type="checkbox"/>	-
NOVACAT 3507 T RC COLLECTOR	<input type="checkbox"/>	<input type="checkbox"/>	-

■ = standard, □ = optional

Tractor PTO speed	Transport width	Transport length	Power requirement from	Hectares per hour up to	Weight
1000 / 540 rpm	9.84 ft / 3.00 m	20.01 ft / 6.10 m	55 kW / 75 HP	8.9 acres /3.6 ha/h	4300 lbs / 1950 kg
1000 / 540 rpm	9.84 ft / 3.00 m	20.01 ft / 6.10 m	55 kW / 75 HP	8.9 acres /3.6 ha/h	4739 lbs / 2150 kg
1000 / 540 rpm	9.84 ft / 3.00 m	23.62 ft / 7.20 m	55 kW / 75 HP	8.9 acres /3.6 ha/h	5180 lbs / 2350 kg
1000 / 540 rpm	9.84 ft / 3.00 m	23.62 ft / 7.20 m	55 kW / 75 HP	8.9 acres /3.6 ha/h	5335 lbs / 2420 kg
1000 / 540 rpm	9.84 ft / 3.00 m	24.80 ft / 7.56 m	55 kW / 75 HP	8.9 acres /3.6 ha/h	4520 lbs / 2050 kg
1000 / 540 rpm	9.84 ft / 3.00 m	24.80 ft / 7.56 m	55 kW / 75 HP	8.9 acres /3.6 ha/h	4740 lbs / 2150 kg
1000 / 540 rpm	9.84 ft / 3.00 m	28.21 ft / 8.60 m	55 kW / 75 HP	8.9 acres /3.6 ha/h	5335 lbs / 2420 kg
1000 / 540 rpm	11.22 ft / 3.42 m	24.80 ft / 7.56 m	63 kW / 85 HP	10.4 acres / 4.2 ha/h	4895 lbs / 2220 kg
1000 / 540 rpm	11.22 ft / 3.42 m	24.80 ft / 7.56 m	63 kW / 85 HP	10.4 acres / 4.2 ha/h	5180 lbs / 2350 kg
1000 / 540 rpm	11.22 ft / 3.42 m	28.21 ft / 8.60 m	63 kW / 85 HP	10.4 acres / 4.2 ha/h	5335 lbs / 2420 kg
1000 / 540 rpm	11.22 ft / 3.42 m	28.21 ft / 8.60 m	63 kW / 85 HP	10.4 acres / 4.2 ha/h	5556 lbs / 2520 kg



Accelerator roller for COLLECTOR	Speed control for COLLECTOR	11.5/80-15.3 8 PR MULTIRIB
-	-	<input type="checkbox"/>
-	-	<input type="checkbox"/>
<input type="checkbox"/>	<input type="checkbox"/>	<input type="checkbox"/>
<input type="checkbox"/>	<input type="checkbox"/>	<input type="checkbox"/>
-	-	<input type="checkbox"/>
-	-	<input type="checkbox"/>
<input type="checkbox"/>	<input type="checkbox"/>	<input type="checkbox"/>
-	-	<input type="checkbox"/>
-	-	<input type="checkbox"/>
<input type="checkbox"/>	<input type="checkbox"/>	<input type="checkbox"/>
<input type="checkbox"/>	<input type="checkbox"/>	<input type="checkbox"/>

Other optional fittings

- PTO shaft 1 3/4" 20 splines
- PTO shaft 1 3/4" 6 splines
- PTO shaft 1 3/8" 21 splines
- PTO shaft 8 x 32 x 38
- Hydraulic swath board adjustment for COLLECTOR models
- Swath board extension for ED to reduce swath width



PÖTTERPRO

Your machine goes online.

All the information on your machine
easily – anytime – anywhere

Simply scan the QR code on the **data plate** with your smartphone or tablet or enter your machine number at www.poettinger.at/poetpro. You will immediately receive all the information on your machine.

- Operating instructions
- Optional equipment information
- Brochures
- Photos and videos



Original *inside* **24** hours service

PÖTTERINGER Spare parts service

- Worldwide network of sales and service partners.
- Decades of spare and wear parts availability.
- Original PÖTTERINGER parts can be ordered online around the clock.

PÖTTERINGER Landtechnik GmbH

Industriegelände 1
4710 Grieskirchen
Austria
Phone +43 7248 600-0
Fax +43 7248 600-2513
info@poettinger.at
www.poettinger.at

Alois PÖTTERINGER UK Ltd.

15 St Marks Road, Corby
Northamptonshire,
NN18 8AN
United Kingdom
Phone + 44 1536 272 220
info.uk@pottingeruk.co.uk
www.pottingeruk.co.uk

POETTINGER Canada Inc.

650, Route 112
St-Cesaire, PQ J0L 1T0
Canada
Phone +1 450 469 5594
Fax +1 866 417 1683
sales.canada@poettinger.ca
www.poettinger.ca

POETTINGER US, Inc.

393 Pilot Drive
Valparaiso, IN 46383
USA
Phone +1 219 510-5534
Fax + 1 219 707-5412
sales.us@poettinger.us
www.poettinger.us

POETTINGER Australia PTY LTD

15 Fordson Road
Campbellfield, VIC 3061
Australia
Phone +61 3 9359 2969
sales.au@poettinger.com.au
www.poettinger.com.au

POETTINGER Ireland Ltd.

Industrial Estate
Cashel Rd., Clonmel, Co. Tipperary
Ireland
Phone +353 52 6125766
info.ie@poettinger.at
www.poettinger.ie

Importer for New Zealand:

Origin Agroup
PO Box 673, 57 Hautapu Road
Cambridge
New Zealand
Phone +64 7 823 7582
info@originagroup.co.nz
www.originagroup.co.nz

Importer for South Africa:

VALTRAC
Cnr. Water & Buiten Street
9585 Parys
South Africa
Phone +27 56 817 7338 7308
wynn@valtrac.co.za
www.valtrac.co.za

