

FOX

Seedbed preparation

NEW



97+398.02.1013



All information online


PÖTTINGER

Clever seedbed preparation

FOX 300 / FOX 300 D



Our newly developed FOX 300 and FOX 300 D compact combinations deliver smooth-running, fuel-saving seedbed preparation. Combined with PÖTTINGER seed drills, this implement becomes a cost-effective 3-point-mounted mulch drill combo.

Your advantages at a glance

- Low drag resistance, fuel-saving seedbed preparation
- High working speed
- Short and compact design for optimum centre of gravity
- Compact combination with harrow tines (FOX) or discs (FOX D)
- Mulch drill combination with PÖTTINGER seed drills

Low drag resistance saves fuel

During the development of the PÖTTINGER short combinations, great attention was paid to compact dimensions and low drag resistance. This allows the use of smaller tractors and provides both a fuel-efficient and effective seedbed preparation.

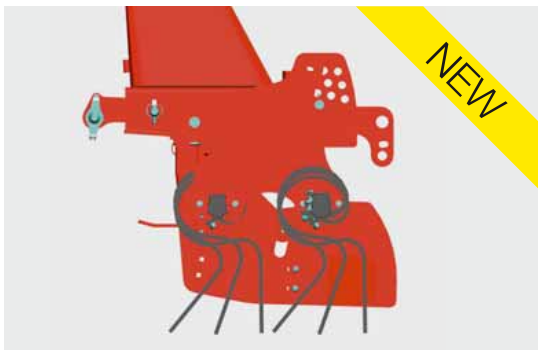
Easy to adjust

The short headstock offers 3 positions on the extendable lower linkage arms. This enables the addition of frontal tools. There are also two top link positions to simplify the adjustment to fit any tractor to fit any tractor.



FOX disc tool

With the FOX 300 D the discs take over the preparation of the soil. These are mounted on rubber elements and are depth adjustable for use in slightly stony soils. The discs have a diameter of 16" / 410 mm and are mounted on maintenance-free bearings.



FOX harrow tines

The FOX 300 is equipped with 2 rows of harrow tines for a finely-crumbled seedbed. The tines can be adjusted in 3 positions and are particularly suitable for light to medium soils and low levels of crop residues.

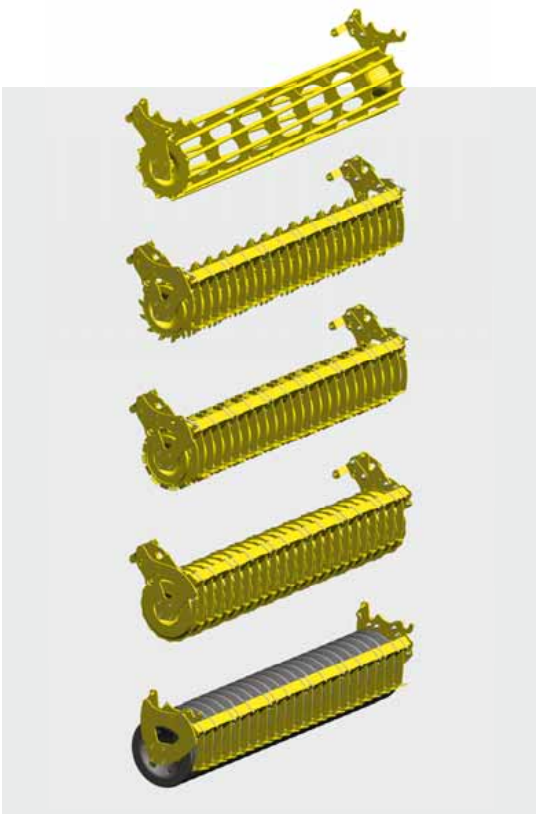
Fast sowing

In combination with a PÖTTINGER seed drill, this implement becomes a cost-effective 3-point-mounted seed drill combo. The drill is mounted either on the packer roller or on the hitch.

		Working width	Transport width	Tools	Tool spacing	Working depth	Minimum power
FOX 300	NEW!	9.84' / 3,0 m	9.84' / 3,0 m	19	6.10" / 15,5 cm	1.18" - 4.72" / 3 - 12 cm	55 kW / 75 hp
FOX 300 D	NEW!	9.84' / 3,0 m	9.84' / 3,0 m	22	5.11" / 13 cm	1.18" - 3.14" / 3 - 8 cm	55 kW / 75 hp

All data not binding

NEW



Rear rollers - it's your choice

Cage-drum roller

The ideal roller for dealing with dry, non-sticky soils.

Tooth-packer roller

The all-rounder, suitable for all types of soil. The roller leaves behind an optimum, re-packed seedbed with loose, fine soil at seed level.

Crumbling-packer roller

This roller is especially suitable for heavy, clay soils.

Pack-ring roller

Ideal for stony, damp conditions and heavy organic residues. Harvest residues remain on the surface of the soil and protect the soil against drying out and against accumulation of mud.

Rubber-packer roller

The perfect roller for widely varying soil conditions with a good load-bearing capacity.

Prism-packer roller **NEW!**

The prism-packer roller is a universal tool that is suitable for all types of soil. The diameter is 19,68" / 500 mm.